

## Tech Data

# Viega Bend Supports



This document is subject to updates. For the most current Viega technical literature please visit [www.viega.us](http://www.viega.us).



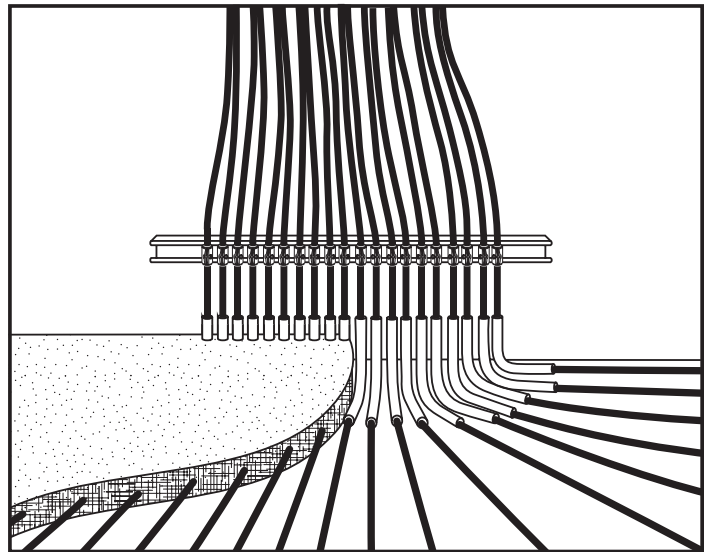
Viega products are designed to be installed by licensed and trained plumbing and mechanical professionals who are familiar with Viega products and their installation. **Installation by non-professionals may void Viega LLC's warranty.**



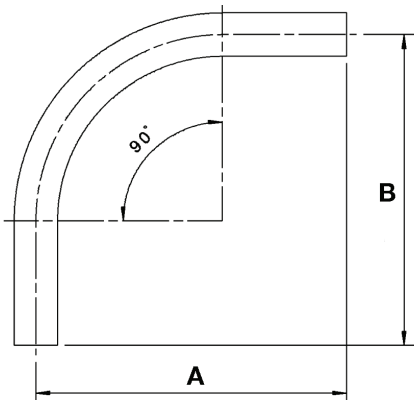
### Description

Viega's plastic slab bend supports are used to provide protection and support to PEX tubing as it transitions from a thermal mass.

Plastic bend supports are made from hard PVC and are available in the sizes outlined in the chart below.



### Viega Bend Support Plastic - Model 2851US



Part No	PEX Size (in)	A (in)	B (in)	I.D. (in)	O.D. (in)
15106	3/8	6.4	6.4	0.8	0.9
15107	1/2	7.9	7.9	1.0	1.1
15108	5/8, 3/4	7.5	7.5	1.5	1.6
15111	1	10	10	1.6	1.9

**V Viega LLC**  
585 Interlocken Blvd.  
Broomfield, CO 80021

Phone (800) 976-9819  
[www.viega.us](http://www.viega.us)

TD-HC 1119 Bend Supports

