

Tech Data

Viega Climate Panel®

Climate Panel

The Climate Panel family of products is a dry-mass radiant panel system designed to be attached above the subfloor. Pre-cut grooves accept 5/16" barrier tubing at 7" OC.

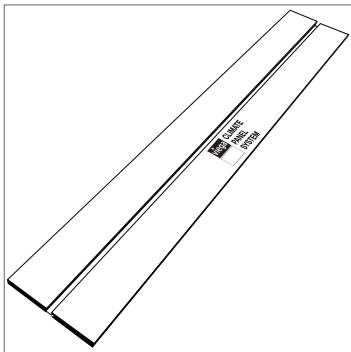
The panels are constructed with wood from responsibly managed forests (Forest Stewardship Council), are CARB 2 compliant for formaldehyde off-gassing, and are certified to PS1-09 for structural rating.

Specifications

- 15/32" 5-Ply Radiata Pine
- CARB 2 Compliant
- Nominal Thickness
- Actual Thickness: 15/32 + 2/64 - 1/64"

Manufacturing Standard

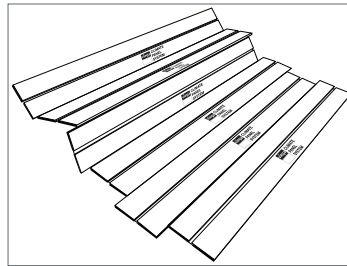
- PS1-09
- EN 13986



Part number 14021

Assembled Climate Panel

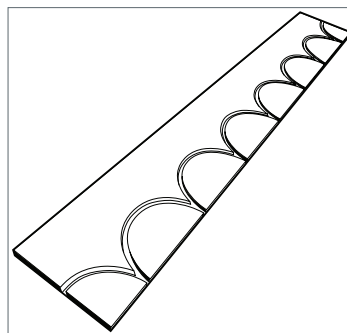
Six panels attached accordion-style allowing for rapid installation of 14 square feet at a time. Alternating panels are offset by 2" to provide reliable alignment. When cutting to size, it is recommended that the panel be fully folded. Panels are attached using 2" fiberglass reinforced tape. Single panels can be easily removed to provide the best fit.



Part number 14025

U-Turn Panel

U-turns allow for tubing to be redirected at each end of a room. U-turns come with a loose aluminum sheet to be placed under the functional heating area.



Part number 14035



This document is subject to updates. For the most current Viega technical literature please visit www.viega.us.

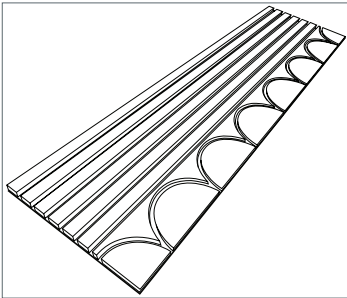


Viega products are designed to be installed by licensed and trained plumbing and mechanical professionals who are familiar with Viega products and their installation. **Installation by non-professionals may void Viega LLC's warranty.**

Multi-Run System

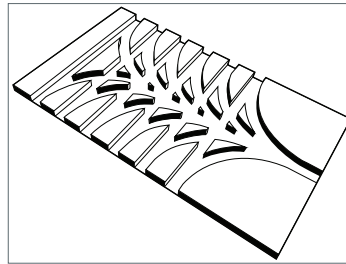
Multi-run panels consist of 6 straight grooves and an integrated U-turn panel. Multi-run access panels provide a section to introduce a loop to pass into or out of the interior of a room. Multi-run 90 panels allow for movement around corners in a multi-run design.

Multi-Run Panel



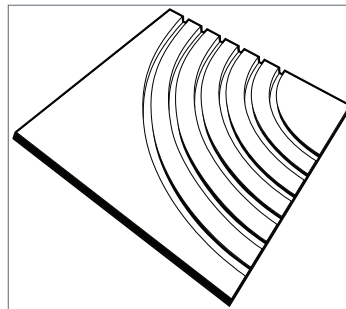
Part number 14050

Multi-Run Access Panel



Part number 14055

Multi-Run 90 Panel



Part number 14060

Product Description	Part #	Thickness nominal (in)	Length (in)	Width (in)	Order Qty (each)	Aluminum 0.012"
Climate Panel	14021	1/2	47 3/4	6 7/8	10	attached
Climate Panel Assembled	14025	1/2	47 3/4 + 2	40 7/8	1 set of 6	attached
U-Turn Panel	14035	1/2	47 5/8	6 3/4	10	included
Multi-Run Panel	14050	1/2	47 3/4	11 3/4	5	included
Multi-Run Access Panel	14055	1/2	11 3/4	6 7/8	6	
Multi-Run 90 Panel	14060	1/2	11 3/4	11 3/4	5	

