

Tech Data

Viega Copper Manifold - Valved



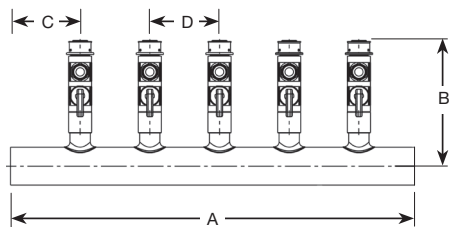
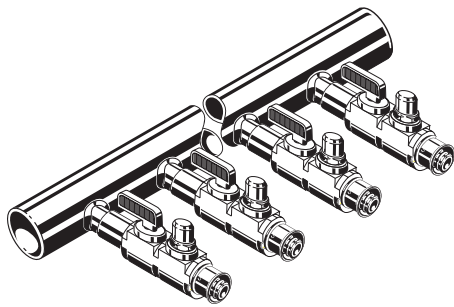
This document is subject to updates. For the most current Viega technical literature please visit www.viega.us.



Viega products are designed to be installed by licensed and trained plumbing and mechanical professionals who are familiar with Viega products and their installation. **Installation by non-professionals may void Viega LLC's warranty.**

Description

Commonly used in commercial heating, cooling, and snow-ice melting applications, Viega valved copper manifolds are available in 2" and 1-1/2". They are available with shut-off valves or shut-off balancing valves, and are made out of Type "L" copper. Viega's copper manifolds are copper (male) headers that are designed to utilize Viega's ProPress® fittings on the header inlet and outlet to connect to primary loop (boiler loop).



Features

- ProPress compatible
- PEX Press adapter
- Uses 5/8" and 3/4" PEX tubing
- Compact 1/4 turn ball valve

Materials

- Ball valves & balancing ball valves
- Brass body
- Plated or coated zinc handles
- Teflon, Viton, EPDM seals

Specifications

- Copper: Type "L" ASTM B88
- Min Temp: 36°F
- Max Temp: 250°F
- Max Pressure: 200 psi
- Max. Glycol Mix: 50%

Copper Manifold Diameter (in)	Maximum Flow (gpm)
1	13
1 1/2	35
2	45

Valve Size (in)	Approximate Cv Rating
1/2	3.0
5/8	6.0
3/4	6.0

Copper Manifolds with Shut-Off / Balancing Valves

Part No.	Dimensions	Length with end cap and ball valve	Dimensions			
			A (in)	B (in)	C (in)	D (in)
17204	2" CM X 5/8" PEX Press - 12	51.25	39	5.72	3.00	3.00
17205	2" CM x 3/4" PEX Press - 12	51.25	39	5.64	3.00	3.00
17223	1 1/2" CM x 5/8" PEX Press - 12	50.00	39	5.48	3.00	3.00
17224	1 1/2" CM X 3/4" PEX Press - 12	50.00	39	5.40	3.00	3.00

Copper Manifolds with Shut-Off Valves

Part No.	Dimensions	Length with end cap and ball valve	Dimensions			
			A	B	C	D
17202	2" CM X 5/8" PEX Press - 12	51.25	39	4.70	3.00	3.00
17203	2" CM x 3/4" PEX Press - 12	51.25	39	4.62	3.00	3.00
17221	1 1/2" CM x 5/8" PEX Press - 12	50.00	39	4.46	3.00	3.00
17222	1 1/2" CM X 3/4" PEX Press - 12	50.00	39	4.38	3.00	3.00

V Viega LLC
585 Interlocken Blvd.
Broomfield, CO 80021

Phone (800) 976-9819
www.viega.us

TD-HC 1119 Copper Manifold - Valved

