

Tech Data

Viega Hydronic Mixing Block



This document is subject to updates. For the most current Viega technical literature please visit www.viega.us.



Viega products are designed to be installed by licensed and trained plumbing and mechanical professionals who are familiar with Viega products and their installation. **Installation by non-professionals may void Viega LLC's warranty.**



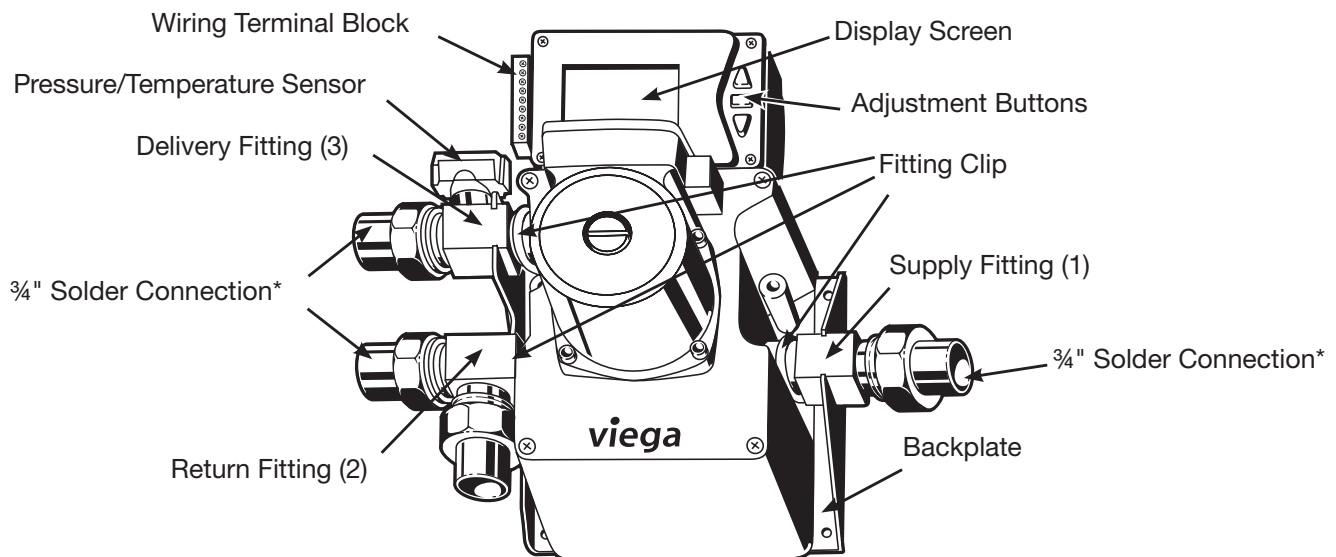
WARNING! Only suitably qualified individuals with formal training in electrical and HVAC controls should attempt the installation of this equipment. Incorrect wiring and installation will affect the warranty provided with this unit. Wiring must be completed in accordance with the codes and practices applicable to the jurisdiction for the actual installation.



WARNING! The Hydronic Mixing Block is a microprocessor based controller and as such is not to be regarded as a safety (limit) control. Please consult and install the heating or cooling appliance in accordance with the manufacturer's recommendations.

Description

The Hydronic Mixing Block is a mixing device and boiler control with a built in circulator and system controller. The block can provide either a fixed or reset water temperature via on/off or constant fluid circulation.

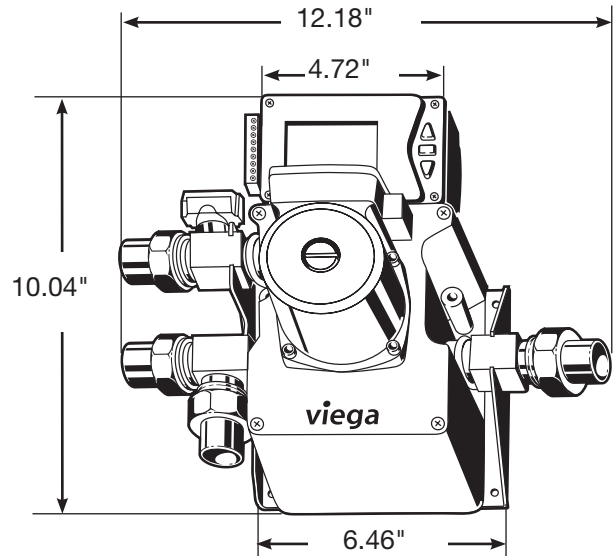
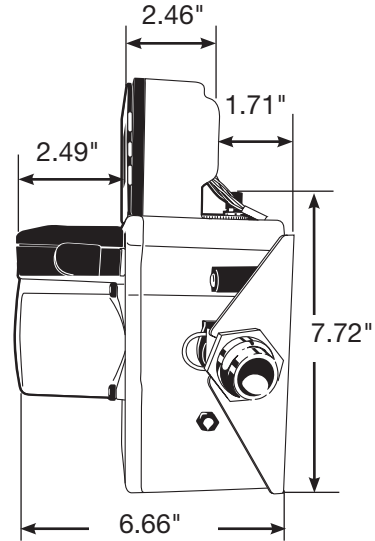
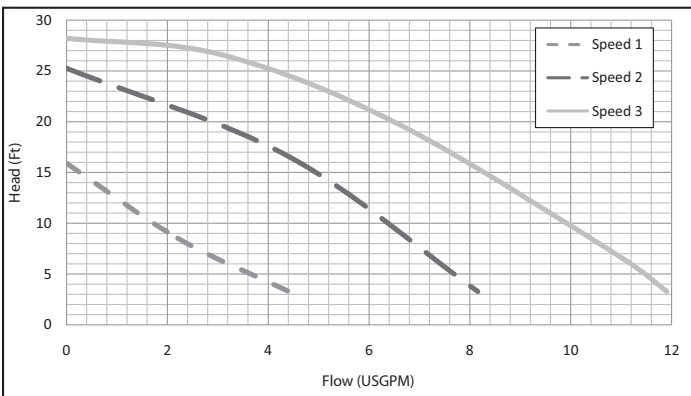


* Viega tailpieces may be used in place of solder connections.
Viega tailpieces are available for sale separately.

Input Voltage / Current	120V AC ± 10% 60 Hz, 2A
Sensors	(2) 10 kΩ thermistors - 1 boiler sensor, 1 outdoor sensor Sensor wiring may be extended up to 500 ft. Use 18 gauge wire when extending
Boiler Relay	24V AC 1.0 MAX AMPS
Circulator Relay	24V AC 1.0 MAX AMPS
Microprocessor	8 Bit, 32 MHz
Fluid	Water Propylene or Ethylene glycol to 50% concentration
Temperature	Maximum Temperature: 203° F
Pressure	Maximum Working Pressure: 45 psi Maximum Test Pressure: 100 psi
Weight	10 lbs.
Dimensions	12.18" W x 10" H x 6.7" D
ETL Listings	Meets CSA G22.2 No. 24 Meets UL Standard 873 ETL Control No. 3068143

Part No.	Speed	Amps	Watts	HP
56160	Hi	1.12	130	1/25
	Med	1.04	110	1/25
	Low	0.78	80	1/25

Pump Curve for Hydronic Mixing Block



Viega LLC
585 Interlocken Blvd.
Broomfield, CO 80021

Phone (800) 976-9819
www.viega.us

TD-HC 0820 Hydronic Mixing Block

