

## User Guide

# Viega Powerhead for Stainless Manifold 24V, 4-Wire



This document is subject to updates. For the most current Viega technical literature please visit [www.viega.us](http://www.viega.us).



Viega products are designed to be installed by licensed and trained plumbing, mechanical, and electrical professionals who are familiar with Viega products and their installation.

**Installation by non-professionals may void Viega LLC's warranty.**

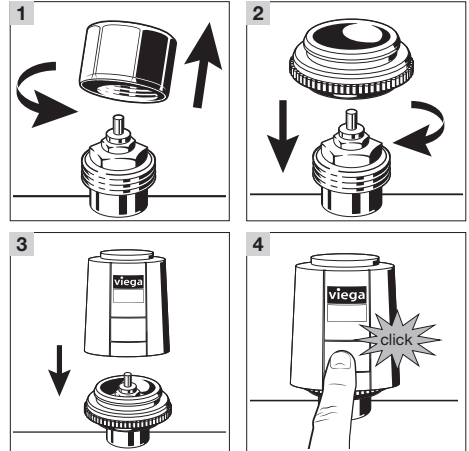
## ON/OFF Indicator

The powerhead has a cylinder on the top that will raise and expose blue when the valve is open. You will be unable to see any blue when the valve is in its normal closed position.

## Initially-Open Function

The powerhead is delivered in the open position. This allows for easier installations and also allows for the installer to pressure and flow test each circuit before connecting the power.

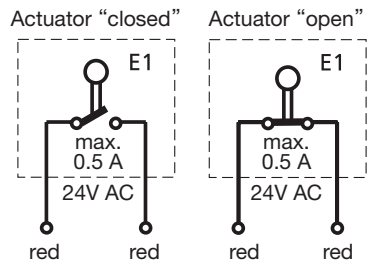
This function is disengaged automatically after the first 6 minutes of powered use.



## Installation

- 1 Remove the blue plastic cap from the return valve on the stainless manifold.
- 2 Thread the valve adapter on hand-tight. Do not use wrench or pliers.
- 3 Once the valve adapter is screwed on, simply snap the powerhead on to the valve adapter. No tools required.
- 4 To remove powerhead push tab and lift off of the valve adapter.

## End Switch State



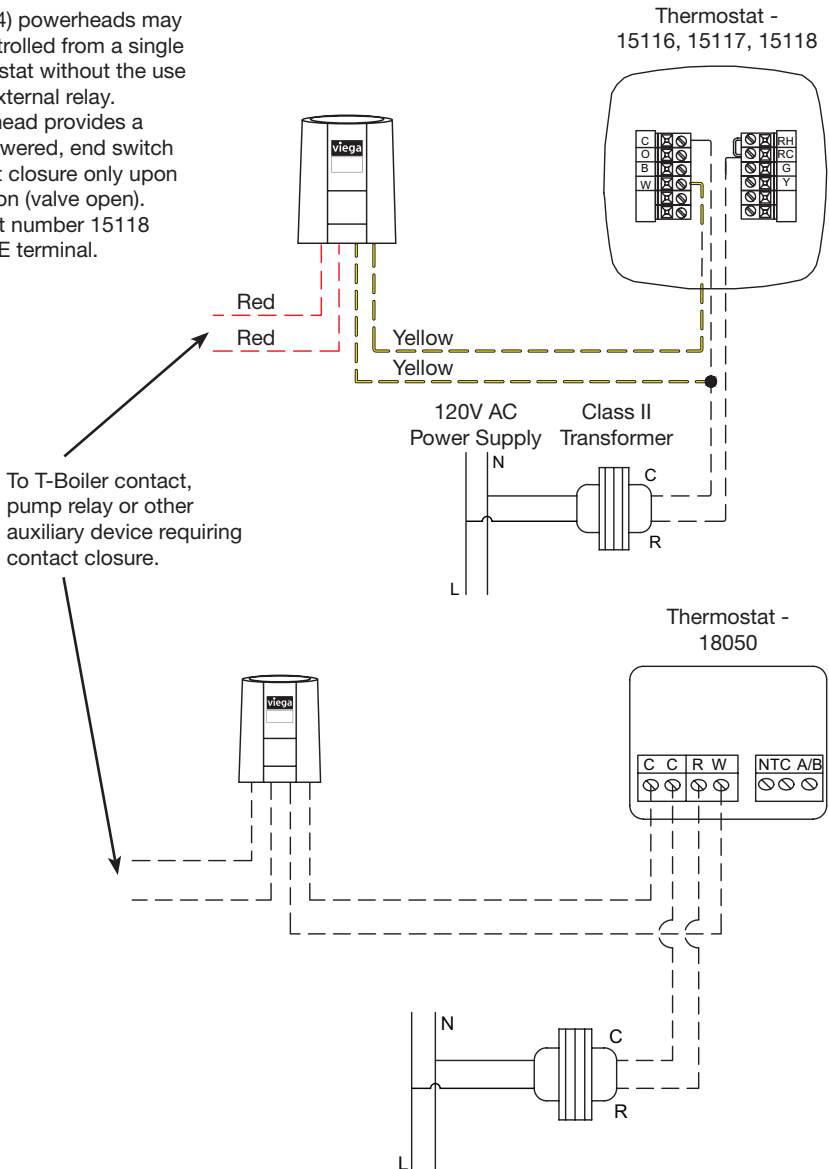
## Wiring Schematic – Thermostat with Powerheads

### Legend: Thermostat

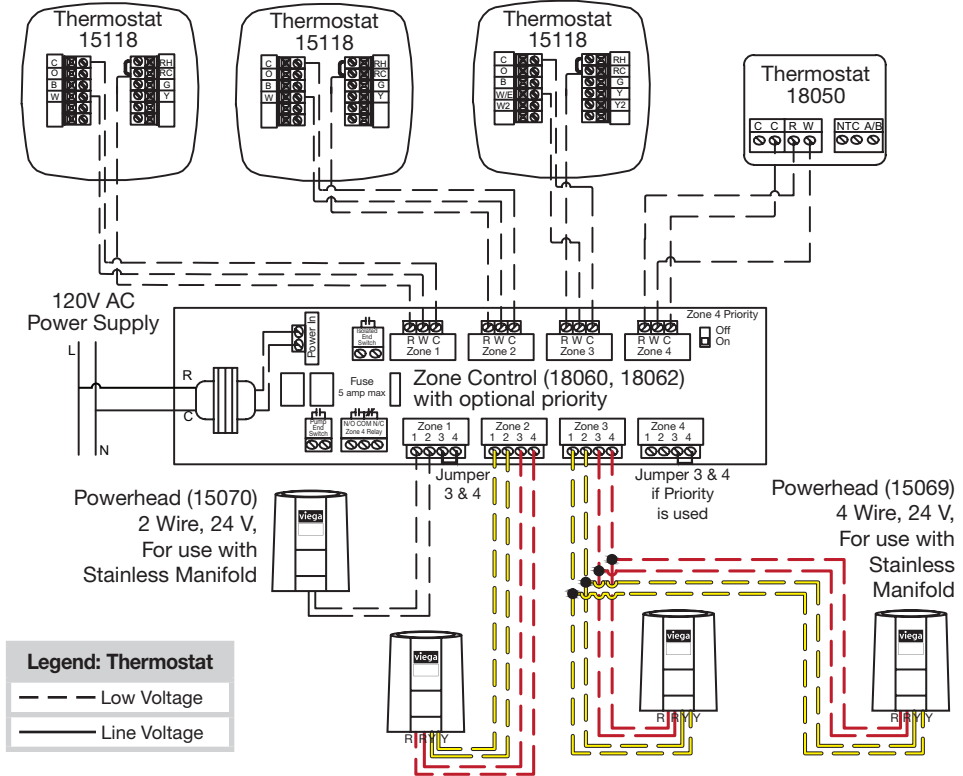
--- Low Voltage

— Line Voltage

- Up to (4) powerheads may be controlled from a single thermostat without the use of an external relay.
- Powerhead provides a non-powered, end switch contact closure only upon actuation (valve open).
- For part number 15118 use W/E terminal.



## Wiring Schematic – Thermostat and Powerheads with Zone Control



Part Numbers:  
15116, 15117, and 15118

- 1 Connect the RC terminal from the thermostat to R terminal on the zone control.
- 2 Connect the W terminal from the thermostat to W terminal on the zone control, for part number 15118 connect W/E terminal from the thermostat to W terminal on the zone control.
- 3 Connect the C terminal from the thermostat to the C terminal on the zone control.

**i** Installation by a licensed electrician is recommended. Installation and use of this equipment should be in accordance with provisions of the U.S. national electric code, applicable local code and pertinent industry standards.

- Factory jumper between 3 and 4 must be removed for use with 4-wire powerhead.
- Install powerheads on system return manifold.
- Up to four powerheads may be connected to each zone.
- Part number 18060 may be used for up to eight powerheads per zone control box.
- Part number 18062 may be used for up to 16 powerheads per zone control box.
- Refer to the zone control and thermostat product instruction for further details.

**V Viega LLC**

585 Interlocken Blvd.  
Broomfield, CO 80021

Phone (800) 976-9819  
[www.viega.us](http://www.viega.us)