

Dimensional Document

Viega PureFlow[®] Press Polymer Fittings



This document is subject to updates. For the most current Viega technical literature please visit www.viega.us.

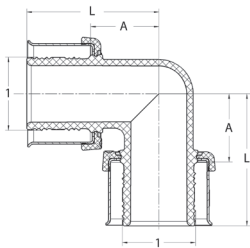


Viega products are designed to be installed by licensed and trained plumbing and mechanical professionals who are familiar with Viega products and their installation. **Installation by non-professionals may void Viega LLC's warranty.**



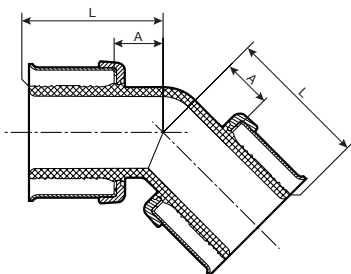
Zero Lead identifies Viega products meeting the lead free requirements of NSF/ANSI/CAN 61 through testing under NSF/ANSI/CAN 372 (0.25% or less maximum weighted average lead content).

PureFlow Press 90° Elbow Polymer - Model V5616

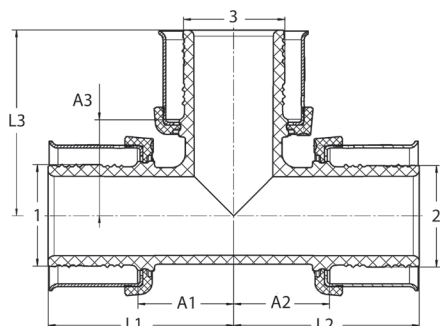


Part No.	Size (in)	A (in)	L (in)
	1		
49210	3/8	0.51	1.11
49220	1/2	0.51	1.11
49240	3/4	0.68	1.27
49260	1	0.77	1.52
49270	1 1/4	0.98	2.08
49280	1 1/2	1.09	2.19
49290	2	1.65	2.72

PureFlow Press 45° Elbow Polymer - Model V5626

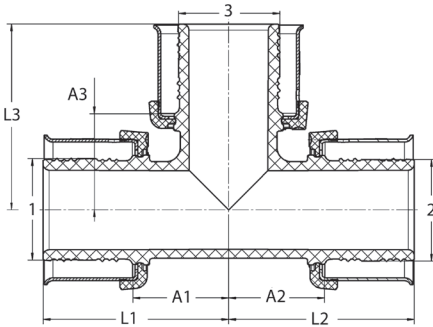


Part No.	Size (in)	A (in)	L (in)
	1		
49285	1 1/2	0.66	1.75
49286	2	0.96	2.03

PureFlow Press Tee Polymer - Model V5618


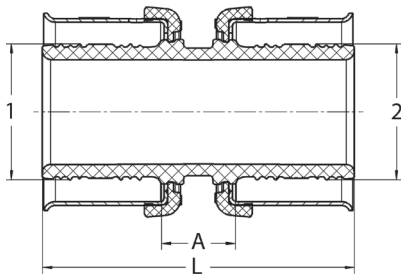
Part No.	Size (in)			A1 (in)	A2 (in)	A3 (in)	L1 (in)	L2 (in)	L3 (in)
	1	2	3						
49200	3/8	3/8	3/8	0.51	0.51	0.51	1.11	1.11	1.11
49322	1/2	3/8	3/8	0.49	0.44	0.54	1.09	1.04	1.13
49332	1/2	1/2	3/8	0.49	0.49	0.54	1.09	1.09	1.13
49520	1/2	1/2	1/2	0.51	0.51	0.51	1.11	1.11	1.11
49334	1/2	1/2	3/4	0.67	0.67	0.60	1.26	1.26	1.19
49433	3/4	1/2	1/2	0.59	0.49	0.69	1.18	1.09	1.28
49443	3/4	3/4	1/2	0.59	0.59	0.69	1.18	1.18	1.28
49434	3/4	1/2	3/4	0.71	0.71	0.71	1.30	1.30	1.30
49540	3/4	3/4	3/4	0.71	0.71	0.71	1.30	1.30	1.30
49533	1	1/2	1/2	0.59	0.49	0.74	1.34	1.09	1.34
49543	1	3/4	1/2	0.60	0.59	0.74	1.35	1.18	1.34
49544	1	3/4	3/4	0.71	0.65	0.85	1.47	1.25	1.44
49535	1	1/2	1	0.81	0.79	0.81	1.56	1.36	1.56
49545	1	3/4	1	0.84	0.77	0.84	1.59	1.37	1.59
49553	1	1	1/2	0.58	0.58	0.74	1.34	1.34	1.34
49554	1	1	3/4	0.71	0.71	0.84	1.47	1.47	1.44
49560	1	1	1	0.71	0.71	0.71	1.47	1.47	1.47
49754	1 1/4	1	3/4	0.73	0.67	0.93	1.82	1.42	1.53
49755	1 1/4	1	1	0.84	0.78	0.91	1.94	1.53	1.66
49888	1 1/4	1 1/4	1/2	0.60	0.60	0.93	1.69	1.69	1.53
49774	1 1/4	1 1/4	3/4	0.73	0.73	0.93	1.82	1.82	1.53
49775	1 1/4	1 1/4	1	0.84	0.84	0.91	1.94	1.94	1.66
49570	1 1/4	1 1/4	1 1/4	0.98	0.98	0.98	2.07	2.07	2.07
49854	1 1/2	1	3/4	0.72	0.79	1.03	1.82	1.54	1.63
49855	1 1/2	1	1	0.85	0.91	1.03	1.94	1.67	1.78
49886	1 1/2	1	1 1/2	0.99	1.00	1.09	2.08	1.74	2.18
49874	1 1/2	1 1/4	3/4	0.77	0.77	1.04	1.82	1.82	1.63
49875	1 1/2	1 1/4	1	0.90	0.90	1.06	1.94	1.94	1.79
49877	1 1/2	1 1/4	1 1/4	1.02	1.02	1.11	2.06	2.06	2.16
49883	1 1/2	1 1/2	1/2	0.72	0.72	1.03	1.81	1.81	1.60
49884	1 1/2	1 1/2	3/4	0.72	0.72	1.03	1.82	1.82	1.60
49885	1 1/2	1 1/2	1	0.85	0.85	1.04	1.94	1.94	1.78
49887	1 1/2	1 1/2	1 1/4	0.97	0.97	1.07	2.06	2.06	2.15
49580	1 1/2	1 1/2	1 1/2	1.09	1.09	1.09	2.18	2.18	2.18
49984	2	1 1/2	3/4	1.07	1.10	1.42	2.14	2.15	1.99
49985	2	1 1/2	1	1.07	1.10	1.41	2.14	2.15	2.15

Continued on next page

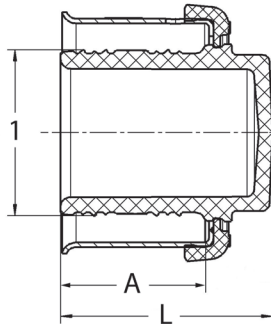
PureFlow Press Tee Polymer - Model V5618, continued


Continued from previous page

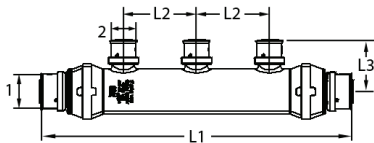
Part No.	Size (in)			A1 (in)	A2 (in)	A3 (in)	L1 (in)	L2 (in)	L3 (in)
	1	2	3						
49987	2	1½	1¼	1.25	1.10	1.50	2.33	2.15	2.50
49988	2	1½	1½	1.25	1.21	1.46	2.33	2.26	2.50
49993	2	2	½	0.98	0.98	1.46	2.06	2.06	2.05
49994	2	2	¾	0.98	0.98	1.50	2.06	2.06	2.05
49995	2	2	1	1.10	1.10	1.53	2.17	2.17	2.26
49997	2	2	1¼	1.25	1.25	1.50	2.33	2.33	2.54
49998	2	2	1½	1.37	1.37	1.46	2.45	2.45	2.50
49590	2	2	2	1.65	1.65	1.65	2.72	2.72	2.72

PureFlow Press Coupling Polymer - Model V5615


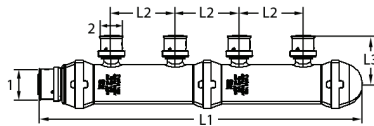
Part No.	Size (in)		A (in)	L (in)
	1	2		
49402	¾	¾	0.47	1.66
49342	½	¾	0.42	1.61
49403	½	½	0.47	1.66
49404	¾	¾	0.47	1.66
49343	¾	½	0.43	1.62
49354	1	¾	0.47	1.82
49405	1	1	0.47	1.98
49347	1¼	¾	0.65	2.34
49357	1¼	1	0.48	2.33
49407	1¼	1¼	0.51	2.69
49348	1½	¾	0.69	2.37
49358	1½	1	0.62	2.47
49378	1½	1¼	0.50	2.69
49408	1½	1½	0.51	2.69
49398	2	1½	1.05	3.16
49409	2	2	1.02	3.16

PureFlow Press Test Plug Polymer - Model V5656


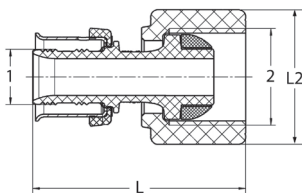
Part No.	Size (in)		A (in)	L (in)
	1	2		
49722	3/8		0.60	0.95
49723	1/2		0.60	0.95
49744	3/4		0.60	0.95
49765	1		0.75	1.10
49770	1 1/4		1.10	1.46
49780	1 1/2		1.10	1.46
49790	2		1.07	1.93

PureFlow Press Manifold Polymer Flow Through - Model V5636


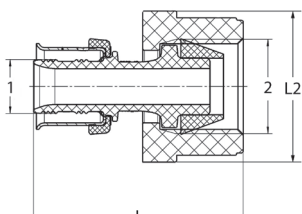
Part No	Size (in)		Outlets	L1 (in)	L2 (in)	L3 (in)
	1	2				
49152	3/4	1/2	2	6.58	2.00	1.42
49153	3/4	1/2	3	8.58	2.00	1.42
49054	3/4	1/2	4	10.58	2.00	1.42
49254	1	3/4 x 1/2	4	10.72	2.00	1.42
49256	1	1/2	6	14.85	2.00	1.42
49258	1	1/2	8	18.85	2.00	1.42

PureFlow Press Manifold Polymer Closed - Model V5636.1


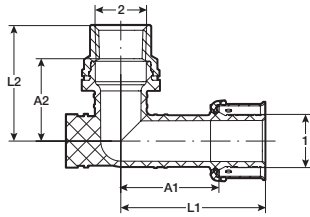
Part No	Size (in)		Outlets	L1 (in)	L2 (in)	L3 (in)
	1	2				
49004	3/4	1/2	4	10.14	2.00	1.42
49206	1	1/2	6	14.27	2.00	1.42
49208	1	1/2	8	18.28	2.00	1.42

PureFlow Press Lav Adapter Polymer P x Lav - Model V5613.3


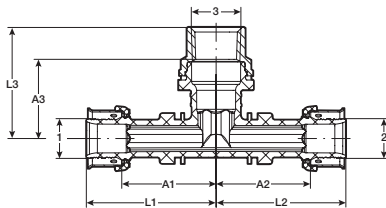
Part No.	Size (in)		L (in)	L2 (in)
	1	2		
49324	3/8	1/2 Lav	1.82	1.15
49333	1/2	1/2 Lav	1.82	1.15
49344	3/4	3/4 Lav	1.78	1.15

PureFlow Press Closet Adapter Polymer P x Closet - Model V5613.4


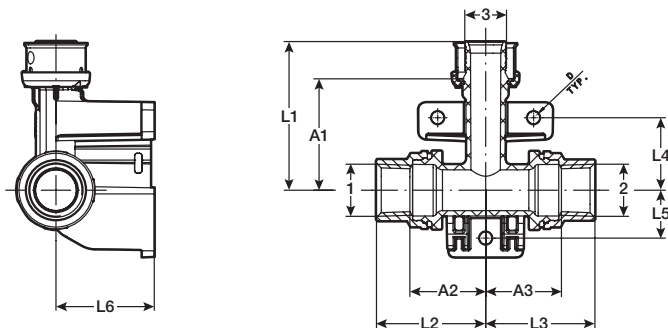
Part No.	Size (in)		L (in)	L2 (in)
	1	2		
49223	3/8	1/2 Closet	1.84	1.3
49233	1/2	1/2 Closet	1.84	1.3

PureFlow Press 90° Elbow Polymer for Fire Sprinkler Systems P x FPT - Model V5645ZL


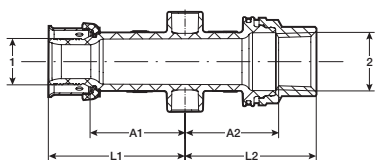
Part No.	Size (in)	A1 (in)	A2 (in)	L1 (in)	L2 (in)
	1 2				
49135	3/4 x 1/2 FPT	1.59	1.33	2.19	1.87
49145	1 x 1/2 FPT	1.59	1.33	2.34	1.87

PureFlow Press Tee Polymer for Fire Sprinkler Systems P x P x FPT - Model V5642ZL


Part No.	Size (in)	A1 (in)	A2 (in)	A3 (in)	L1 (in)	L2 (in)	L3 (in)
	1 2 3						
49120	3/4 x 3/4 x 1/2 FPT	1.59	1.59	1.33	2.19	2.19	1.87
49130	1 x 3/4 x 1/2 FPT	1.59	1.59	1.33	2.34	2.19	1.87
49140	1 x 1 x 1/2 FPT	1.59	1.59	1.33	2.34	2.34	1.87

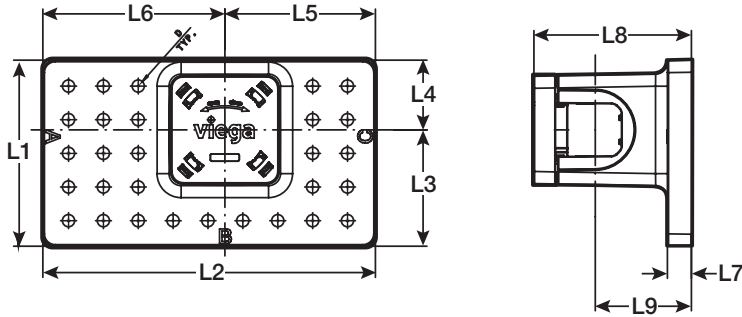
PureFlow Press Wall Tee Polymer for Fire Sprinkler Systems FPT x FPT x P - Model V5641ZL


Part No.	Size (in)	A1 (in)	A2 (in)	A3 (in)	L1 (in)	L2 (in)	L3 (in)	L4 (in)	L5 (in)	L6 (in)	D (in)
	1 2 3										
49100	1/2 FPT x 1/2 FPT x 3/4	1.79	1.21	1.21	2.38	1.75	1.75	1.16	0.77	1.57	0.20
49110	1/2 FPT x 1/2 FPT x 1	1.79	1.21	1.21	2.54	1.75	1.75	1.16	0.77	1.57	0.20

PureFlow Press Adapter Polymer for Fire Sprinkler Systems P x FPT - Model V5644ZL


Part No.	Size (in)	A1 (in)	A2 (in)	L1 (in)	L2 (in)
	1 2				
49132	3/4 x 1/2 FPT	1.35	1.33	1.95	1.87
49144	1 x 1/2 FPT	1.44	1.33	2.19	1.87

PureFlow Press Replacement Bracket, Plastic, for Fire Sprinkler Systems - Model V5643ZL



Part No.	L1 (in)	L2 (in)	L3 (in)	L4 (in)	L5 (in)	L6(in)	L7(in)	L8 (in)	L9(in)	D (in)
49150	3.05	5.44	1.91	1.14	2.46	2.98	0.39	2.58	1.57	0.20

V Viega LLC
 585 Interlocken Blvd.
 Broomfield, CO 80021

Phone (800) 976-9819
www.viega.us

DD-PF 0822 PureFlow Press Polymer Fittings

