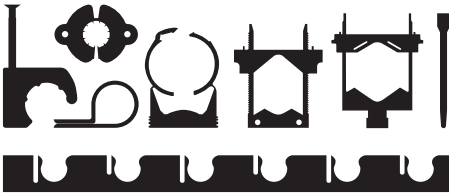


## Tech Data

# Viega PureFlow® PEX Tubing Fasteners



### Description

Viega offers several different types of fasteners for attaching Viega PureFlow PEX tubing to different surfaces. Below you will find technical information relating to each.

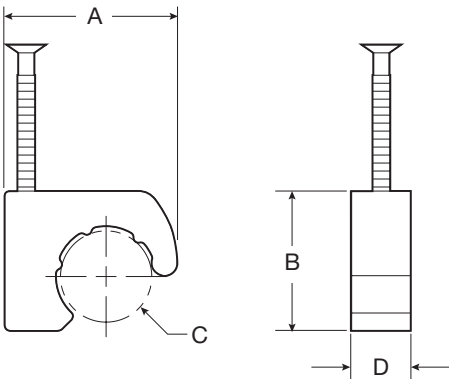


This document is subject to updates. For the most current Viega technical literature please visit [www.viega.us](http://www.viega.us).



Viega products are designed to be installed by licensed and trained plumbing and mechanical professionals who are familiar with Viega products and their installation. **Installation by non-professionals may void Viega LLC's warranty.**

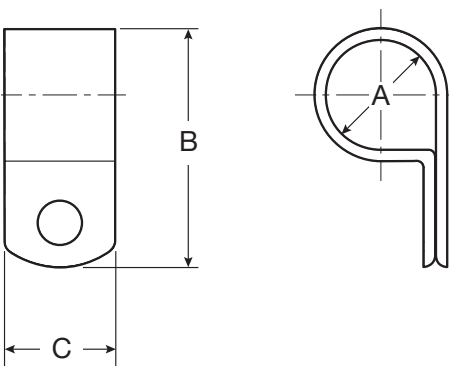
### J-clamp



Part Numbers: 52000, 52020, 52040, 52060  
 Normal Uses: Attaching Viega PureFlow PEX tubing to wood surfaces  
 Tubing Compatibilities: 3/8", 1/2", 3/4", 1"  
 Material Make up: Plastic clip with ring shank steel nail  
 Package Quantity: 100 J-clamps

Part No.	PEX Tubing Size (in)	A (in)	B (in)	C (in)	D (in)
52000	3/8	1.60	0.90	0.80	0.40
52020	1/2	1.60	1.10	0.90	0.40
52040	3/4	2.13	1.30	1.20	0.42
52060	1	2.38	1.70	1.50	0.50

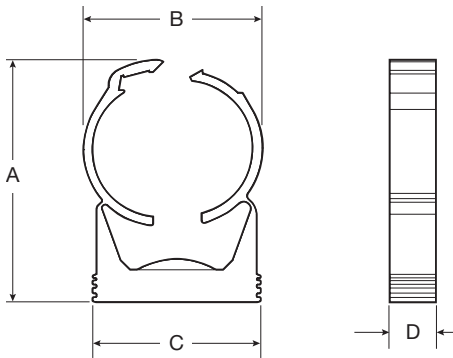
### Economy Clamp



Part Numbers: 52110, 52120, 52140  
 Normal Uses: Attaching Viega PureFlow PEX tubing to wood or metal surfaces.  
 Tubing Compatibilities: 3/8", 1/2", 3/4" Viega PureFlow PEX tubing  
 Material Make up: Plastic  
 Package Quantity: 100 clamps (3/8" and 1/2")  
 50 Clamps (1")

Part No.	Diameter (in)	A (in)	B (in)	C (in)
52110	3/8	0.50	1.08	0.5
52120	1/2	0.63	1.18	0.5
52140	3/4	0.88	1.50	0.5

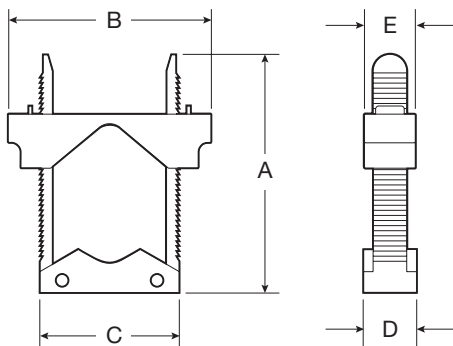
### Lock clip



Part Numbers: 58071, 58072, 58073, 58074, 58075, 58076, 58077  
 Normal Uses: Attaching Viega PureFlow PEX tubing to wood or metal surfaces.  
 Tubing Compatibilities:  $\frac{3}{8}$ " to 2"  
 Material Make up: Plastic  
 Package Quantity: 100 clips ( $\frac{3}{8}$ " and  $\frac{1}{2}$ "  
 50 clips ( $\frac{3}{4}$ " to  $1\frac{1}{4}$ "  
 25 clips ( $1\frac{1}{2}$ "  
 15 clips (2")

Part No.	Diameter (in)	A (in)	B (in)	C (in)	D (in)
58071	$\frac{3}{8}$	1.5	1.0	1.1	0.67
58072	$\frac{1}{2}$	1.7	1.1	1.1	0.67
58073	$\frac{3}{4}$	1.8	1.4	1.1	0.67
58074	1	2.4	1.7	1.5	0.67
58075	$1\frac{1}{4}$	2.5	1.8	1.6	0.67
58076	$1\frac{1}{2}$	3.0	2.2	1.9	0.67
58077	2	3.6	2.6	2.4	0.67

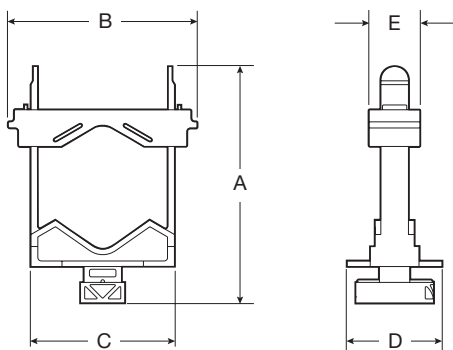
### Multi-clip



Part Numbers: 52006, 52007  
 Normal Uses: Attaching Viega PureFlow PEX tubing to wood or metal surfaces.  
 Product Instructions: [PureFlow Multi-clip Product Instructions](#)  
 Tubing Compatibilities:  $\frac{3}{8}$ " to 2"  
 Material Make up: Plastic  
 Package Quantity: 100 clips (1"  
 50 clips (2")

Part No.	Maximum Diameter (in)	A (in)	B (in)	C (in)	D (in)	E (in)
52006	1	2.35	2.00	1.37	0.53	0.48
52007	2	4.00	3.40	2.56	1.00	0.83

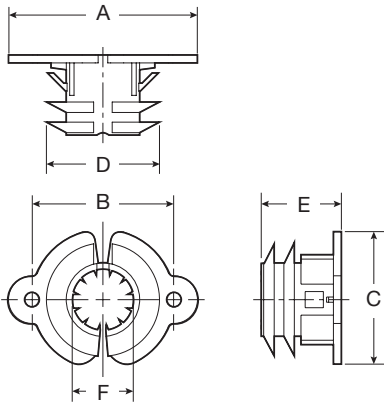
### Multi-clip



Part Numbers: 52017  
 Normal Uses: Attach Viega PureFlow PEX tubing to strut clamps.  
 Product Instructions: [PureFlow Multi-clip Product Instructions](#)  
 Tubing Compatibilities: 1" to 2"  
 Material Make up: Plastic  
 Package Quantity: 25 clips

Part No.	Maximum Diameter (in)	A (in)	B (in)	C (in)	D (in)	E (in)
52017	2	4.29	3.42	2.60	1.72	0.93

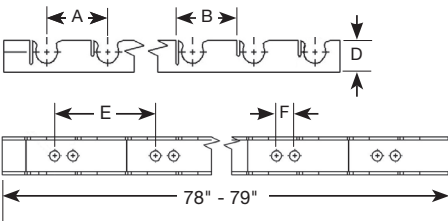
### Tubing Insulator



Part Numbers: 55100, 55120, 55140, 55160  
 Normal Uses: Protects Viega PureFlow PEX tubing from sharp or coarse surfaces when penetrating wood or metal.  
 Tubing Compatibilities: 3/8" to 1" Viega PureFlow PEX tubing  
 Fits 1 3/8" hole  
 Material Make up: Plastic  
 Package Quantity: 50 insulators

Part No.	Maximum Diameter (in)	A (in)	B (in)	C (in)	D (in)	E (in)	F (in)
55100	3/8	2.20	1.75	2.15	1.40	0.87	0.70
55120	1/2	2.34	1.75	1.64	1.40	1.00	0.75
55140	3/4	2.16	1.84	1.64	1.43	1.00	0.90
55160	1	2.32	1.75	1.72	1.37	1.00	1.14

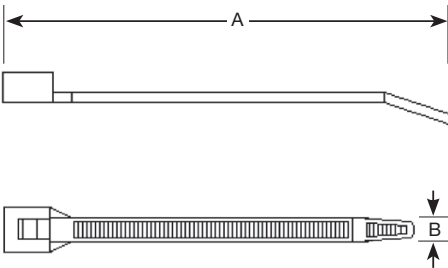
### U-Channel



Part Numbers: 15310  
 Normal Uses: Attaching Viega PureFlow PEX tubing to concrete or other flat surfaces.  
 Tubing Compatibilities: 1/2" Viega PureFlow PEX tubing  
 Material Make up: Plastic  
 Package Quantity: 16 U-channel strips

Part No.	Length of strip (ft)	Barrier Tube Dimension (in)	A (in)	B (in)	C (in)	D (in)	E (in)	F (in)
15310	6.5	1/2	2.0	2.0	1.50	1.0	4.0	.71

### Zip Ties



Part Numbers: 43714  
 Normal Uses: Bundling multiple runs of Viega PureFlow PEX tubing.  
 Tubing Compatibilities: All sizes of Viega PureFlow PEX tubing  
 Material Make up: Nylon  
 Tensile Strength: 120 lbs  
 Package Quantity: 100 zip ties

Part No.	A (in)	B (in)
43714	14.25	0.033

