

Tech Data

Viega PureFlow® Press Ball Valve Model 2842.2ZL



Description

The Viega PureFlow Press zero lead ball valve is equipped with a full port, Eco Brass® body. The ball valve also features Teflon® seals with EPDM and FKM stem seals.

Features

- Plated Brass Ball
- PTFE Seals
- Nickel Plated Brass Stem
- EPDM and FKM Stem Seals

Ratings

- Temperature Range: 0°F - 180°F
- Max. Operating Pressure: 160 psi

Approvals

- ASTM F1807
- cCSAus
- NSF®-61-372
- NSF®-U.P. Code



This document is subject to updates. For the most current Viega technical literature, please visit www.viega.us.



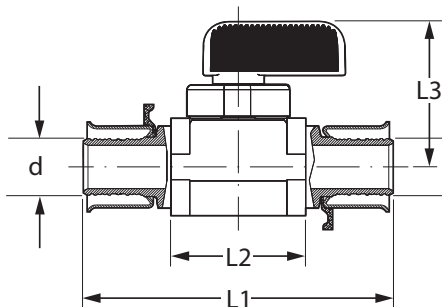
Viega products are designed to be installed by licensed and trained plumbing and mechanical professionals who are familiar with Viega products and their installation. **Installation by non-professionals may void Viega LLC's warranty.**



Zero Lead identifies Viega products meeting the lead free requirements of NSF/ANSI/CAN 61 through testing under NSF/ANSI/CAN 372 (0.25% or less maximum weighted average lead content).

Component	Material
Body	Eco Brass
Ball	Plated Brass
Seat	PTFE
Stem	Nickel Plated Brass
Stem Seals	EPDM & FKM
Handle	Nickel Plated Zinc

Viega PureFlow Press Ball Valve Zero Lead Brass P x P - Model 2842.2ZL



Part No.	Size (in) d	L1 (in)	L2 (in)	L3 (in)
94500	3/8	2.62	1.2	1.2
94521	1/2	2.59	1.2	1.2
94541	3/4	2.72	1.3	1.3

V Viega LLC
585 Interlocken Blvd.
Broomfield, CO 80021

Phone (800) 976-9819
www.viega.us

TD-PF 1223 PureFlow Press Ball Valve 2842-2ZL

