

Tech Data

Viega PureFlow® Press by ProPress® Ball Valve, Model 2882.1ZL



Description

Viega PureFlow Press by ProPress ball valve is a full-port ball valve intended for potable applications. The ball valve features EPDM sealing elements, EPDM stem seals, zero lead brass body, and

Viega's Smart Connect Technology® for easy identification of unpressed connections during pressure testing.

Features

- Stainless steel stem
- Stainless steel ball
- Reinforced PTFE seats

Accessories

- Handle, Model 2971.8
- T-Handle, Model 2971.26
- Insulated Handle, Model 2971.46
- Stem Extension, Model 2971.66

Approvals

- NSF®-61-372
- NSF®-U.P. Code
- ASME112.4.14/CSA B125.14
- IAPMO/ANSI Z1157
- ASTM F877/F3253/F3347
- NSF/ANSI 359



This document is subject to updates. For the most current Viega technical literature, please visit www.viega.us.



Viega products are designed to be installed by licensed and trained plumbing and mechanical professionals who are familiar with Viega products and their installation. **Installation by non-professionals may void Viega LLC's warranty.**



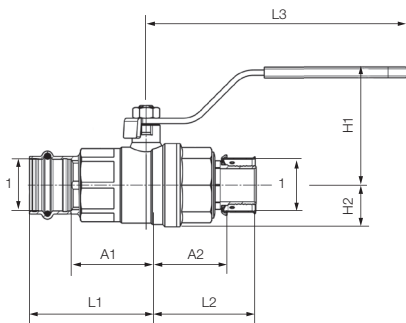
Zero Lead identifies Viega products meeting the lead free requirements of NSF/ANSI/CAN 61 through testing under NSF/ANSI/CAN 372 (0.25% or less maximum weighted average lead content).

Ratings

- Temperature Range: 0°F - 180°F
- Max. Operating Pressure: 160 psi

| Component | Material |
|-----------------|------------------------|
| Body | Zero Lead Brass CW511L |
| Ball | 316 Stainless Steel |
| Seat | Reinforced PTFE |
| Stem | 316 Stainless Steel |
| Stem Seals | EPDM |
| Nut | 316 Stainless Steel |
| Sealing Element | EPDM |

Viega PureFlow Press x ProPress Ball Valve – Model 2882.1ZL



| Part No. | Size (in) | H1 (in) | H2 (in) | L1 (in) | L2 (in) | L3 (in) | A1 (in) | A2 (in) | Cv (US gal/min) |
|----------|-----------|---------|---------|---------|---------|---------|---------|---------|-----------------|
| | 1 | | | | | | | | |
| 87855 | 1/2 | 2.05 | 0.63 | 1.97 | 1.93 | 4.61 | 1.14 | 1.46 | 8.01 |
| 87860 | 3/4 | 2.17 | 0.75 | 2.24 | 2.05 | 4.61 | 1.34 | 1.54 | 16 |
| 87865 | 1 | 2.60 | 0.91 | 2.56 | 2.44 | 5.75 | 1.65 | 1.81 | 27.2 |
| 87870 | 1 1/4 | 2.80 | 1.18 | 2.83 | 2.95 | 5.79 | 1.81 | 2.09 | 46.5 |
| 87875 | 1 1/2 | 3.15 | 1.42 | 3.35 | 3.31 | 6.14 | 1.93 | 2.44 | 57.1 |
| 87880 | 2 | 3.47 | 1.73 | 3.82 | 3.86 | 6.14 | 2.24 | 2.80 | 105 |



Viega LLC

585 Interlocken Blvd.
Broomfield, CO 80021

Phone (800) 976-9819
www.viega.us

TD-PF 0424 PureFlow Press x ProPress Ball Valve

viega