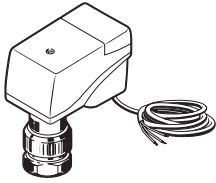


Tech Data

Viega 0-10V DC Actuator



Part Number 18027

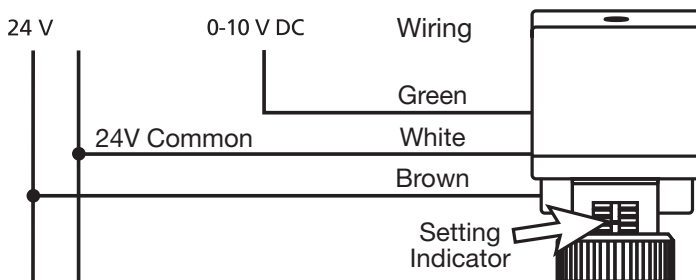
Description

The Viega 0-10V DC actuator is an electronic actuator which is used to provide control over mixing stations and diverting valves. A 24 volt signal powers the unit open and closed while controlled by a 0-10V DC signal, usually from a central DDC building

management system or thermostat. This actuator will not work with Viega controls such as the basic heating control, basic snow melt control, digital setpoint control, the advanced snow melt control or the hydronic mixing block.

Features

- Small size allows for installation where space is limited
- Maintenance free
- No tools required for mounting
- Adjustable between linear or equal percentage valve control
- Silent operation
- Low power consumption
- Exercise function, the actuator will be opened every 24 hours during periods of inactivity
- Actuator can be installed in any position, including upside down
- Compatible with heating and/or cooling systems



Manual Override Function

The actuator can be operated manually by inserting a 4mm allen key into the hex port on top of the actuator. Turning the allen key clockwise will raise the pin, while turning the allen key counterclockwise will lower the actuator pin. The stroke of the actuator is visible through the setting indicator. (Make sure power is turned off to the actuator while using manually.)



This document is subject to updates. For the most current Viega technical literature please visit www.viega.us.



Viega products are designed to be installed by licensed and trained plumbing and mechanical professionals who are familiar with Viega products and their installation. **Installation by non-professionals may void Viega LLC's warranty.**

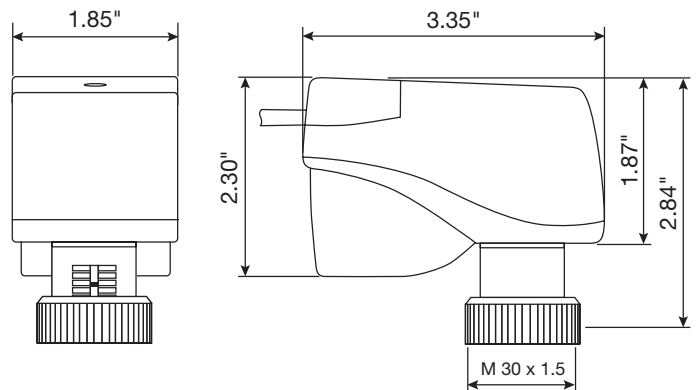
Specifications

Power Supply	24V AC
Power Consumption	2.5 VA
Drive	0-10V DC
Connecting Cable Length	56"
Stroke	4 mm
Actuating force	30 lbs
Running time	60 seconds fully closed to fully open
Ambient Temperature	32°F to 122°F
Fluid Temperature	32°F to 212°F

LED Display

The green LED display is visible only with the rear cover removed.

On	Power supply available, motor off
Flashing	Actuator motor adjusting stroke
Off	No power



V Viega LLC
585 Interlocken Blvd.
Broomfield, CO 80021

Phone (800) 976-9819
www.viega.us

TD-HC 1119 0-10V DC Actuator

