

## Tech Data

# Viega® Manifold Ball Valve Set



This document is subject to updates. For the most current Viega technical literature please visit [www.viega.us](http://www.viega.us).



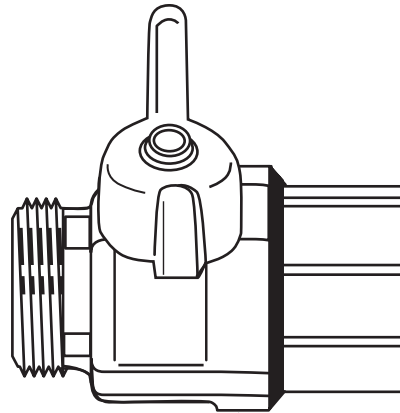
Viega products are designed to be installed by licensed and trained plumbing and mechanical professionals who are familiar with Viega products and their installation. **Installation by non-professionals may void Viega LLC's warranty.**

### Description

Viega's manifold ball valve sets are typically installed in conjunction with 1¼" stainless manifolds. These valve sets offer a fast and effective way to isolate manifolds from boiler piping.

### Features

- Flat sealing face for use with 1¼" stainless steel manifolds
- Chrome plated ball
- Blow out proof stem
- Full port valve
- Max pressure 100 psi
- Max temp 200°F
- 1¼" BSPP x 1" FPT
- Double O-ring Stem Seal
- Each set includes two valves, one with red handle, one with blue handle



Part No. 15056

### Expanded View Key

1. Forged brass nickel plated body
2. PTFE Seat Ring
3. Chrome Plated Ball
4. Forged Brass Nickel Plated Body End
5. Brass Stem
6. Buna Nitrile O-rings
7. Painted Aluminum Handle
8. Zinc plated Handle Screw

