

Tech Data

Viega Mixing Valve Actuator



This document is subject to updates. For the most current Viega technical literature please visit www.viega.us.



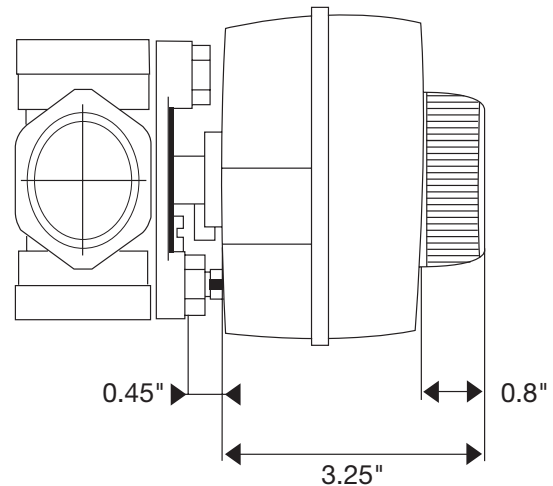
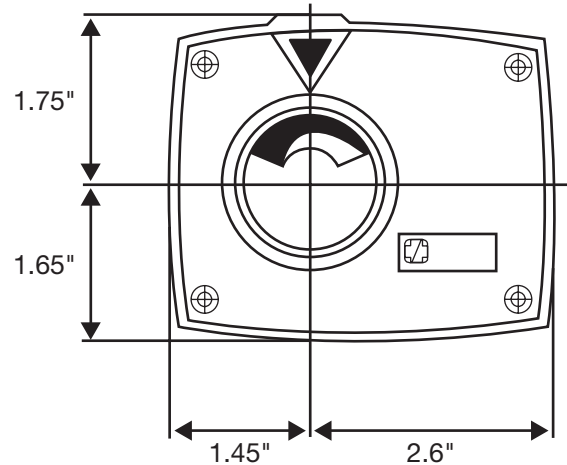
Viega products are designed to be installed by licensed and trained plumbing and mechanical professionals who are familiar with Viega products and their installation. **Installation by non-professionals may void Viega LLC's warranty.**

Description

The Actuator is designed to provide electronic temperature control for Viega's Mixing Valves in heating, cooling, and snow-ice melting applications. The actuator is designed to fit and modulate all of Viega's Mixing Valves 3/4" - 2". Operated by a 24V signal from the Viega Basic Heating Control or Advanced Snow Melt Control.

Specifications

■ Power Supply:	24 VAC
■ Power Consumption:	1.5 VA
■ Torque:	45 in. lb.
■ Signal / Runtime for 90° Rotation:	1.7 min. (102 sec.)
■ Weight:	1 lb.
■ Ambient Temperature Limits:	5 to 131°F



Part No. 20042

V Viega LLC
585 Interlocken Blvd.
Broomfield, CO 80021

Phone (800) 976-9819
www.viega.us

TD-HC 1119 Mixing Valve Actuator

