

## Tech Data

# Viega Zone Valve



### Description

Viega zone valves are used to control the flow of fluid within a hydronic heating or cooling system. They do so by opening when there is a thermostat demand and closing

when the demand has been met. Viega zone valves are available in 3/4" and 1", with three different connection types: ProPress x ProPress, ProPress x PEX Press, and solder x PEX Press.

### Specifications

- Voltage: 24 Volts
- Max. Inrush Current: 300 mA, for 2 minutes
- Operating Power: 1w
- Closing / Opening Time: Approximately 3 minutes
- Max. Pressure Differential: 50 psi
- Cv Rating 3/4" Valve: 4.0
- Cv Rating 1" Valve: 8.5
- Fluid Temperature: 32°-212°F
- Stem Travel: 4mm
- Actuating Force: 21 lbs
- Body Material: Low zinc bronze, alloy C84400

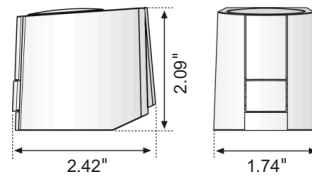


This document is subject to updates. For the most current Viega technical literature please visit [www.viega.us](http://www.viega.us).

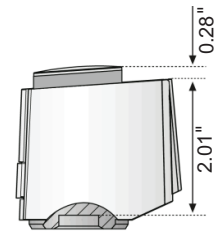


Viega products are designed to be installed by licensed and trained plumbing and mechanical professionals who are familiar with Viega products and their installation. **Installation by non-professionals may void Viega LLC's warranty.**

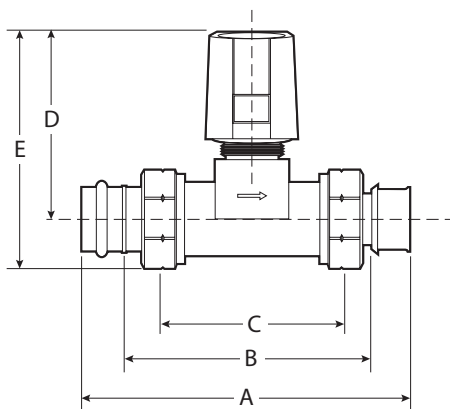
### Top Dimensions



### Top Installation Height



### Viega Zone Valve - Model 2837.2



Part No.	Description	A (in)	B (in)	C (in)	D (in)	E (in)
17230	3/4" Solder x PEX Press	4.70	3.25	2.50	3.60	4.25
17231	1" Solder x PEX Press	6.25	4.60	3.60	3.75	4.60
17232	3/4" PP X PP	5.60	3.80	2.50	3.60	4.25
17233	1" PP X PP	6.86	5.20	3.60	3.75	4.60
17234	3/4" PP X PEX Press	5.10	3.80	2.50	3.60	4.25
17235	1" PP X PEX Press	6.62	5.28	3.60	3.75	4.60

**V** Viega LLC  
585 Interlocken Blvd.  
Broomfield, CO 80021

Phone (800) 976-9819  
[www.viega.us](http://www.viega.us)

TD-HC 0921 Zone Valve

