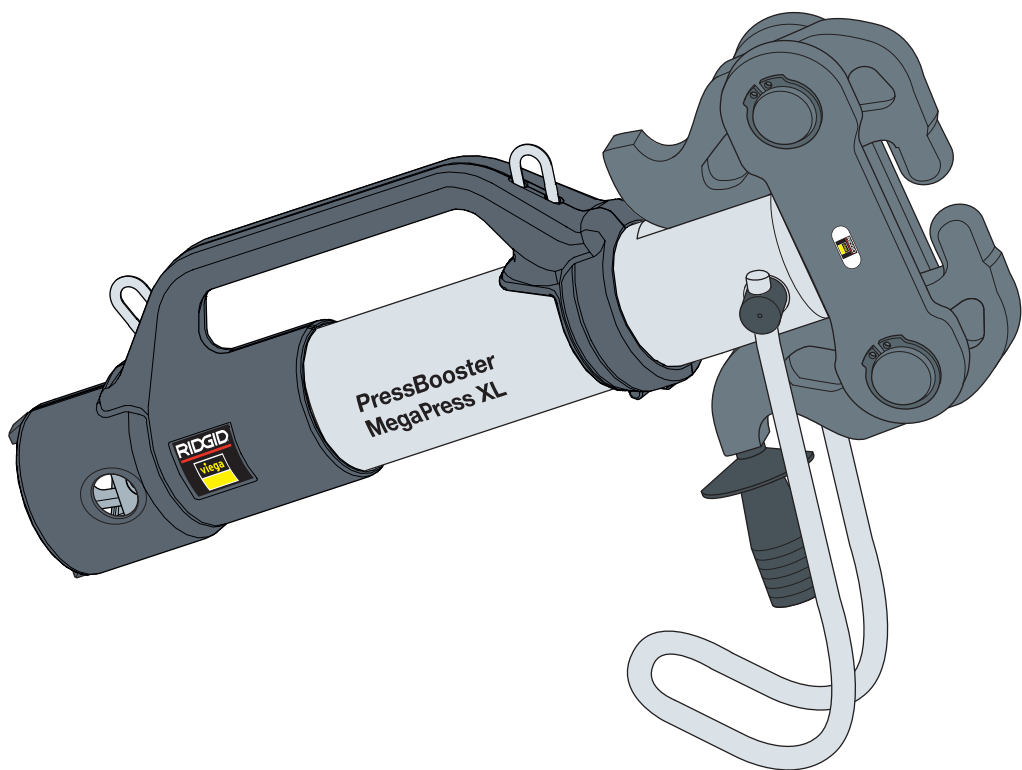


**Brief instructions for use****MegaPress XL PressBooster**

**Model**  
4896.2XL

**viega**



# Table of contents

<b>1</b>	<b>About this manual</b>	<b>4</b>
1.1	Target groups	4
1.2	Symbols used	4
1.3	Note on use of abbreviated terms	5
<b>2</b>	<b>Product information</b>	<b>5</b>
2.1	Standards and regulations	5
2.2	Intended use	5
2.2.1	Areas of use	5
2.3	Product description	6
2.3.1	Overview	6
2.3.2	Technical data	7
2.3.3	Operating mode	8
<b>3</b>	<b>Handling</b>	<b>9</b>
3.1	Transport and storage	9
3.2	Preparing the press tool	10
3.3	Pressing	13
3.4	Interrupting the press cycle	16
3.5	Care and maintenance	17
3.5.1	Cleaning	17
3.5.2	Inspection and maintenance	17
3.6	Troubleshooting	18
3.7	Service partners	19
3.8	Disposal	19

# 1 About this manual

Trade mark rights exist for this document; further information can be found at [viega.com/legal](http://viega.com/legal).

## 1.1 Target groups

The information in this instruction manual is directed at the following groups of people:

- Heating and plumbing professionals and trained personnel

It is not permitted for individuals without the above-mentioned training or qualification to mount, install and, if required, maintain this product. This restriction does not extend to possible operating instructions.

The use of Viega products must be carried out in accordance with the general rules of engineering and the Viega instructions for use.

## 1.2 Symbols used

Within this document, the following symbols may be used:



### **DANGER!**

This symbol warns of possible life-threatening injury.



### **WARNING!**

This symbol warns of possible serious injury.



### **CAUTION!**

This symbol warns of possible injury.



### **NOTICE!**

This symbol warns of possible damage to property.



Notes give you additional helpful tips.

### 1.3 Note on use of abbreviated terms

For reading comfort, the following abbreviated terms are used in these instructions for use:

US

Ridgid Press Tool	Press Tool
Viega MegaPress XL PressBooster	PressBooster
Viega MegaPress 2½ to 4 inch fitting	Fitting
Viega system press jaws	Press jaws
Viega system press rings	Press rings
Viega system press tool	<p>Press Tool</p> <p>Combinations of for example:</p> <ul style="list-style-type: none"> <li>■ press tool and press jaw</li> <li>■ press tool and PressBooster</li> <li>■ press tool with hinged adapter jaw and press ring or press chain</li> <li>■ press tool and press-in branch connector tool</li> </ul>

## 2 Product information

### 2.1 Standards and regulations

National regulations can be found on the relevant web site of your country at [viega.com/standards](http://viega.com/standards).

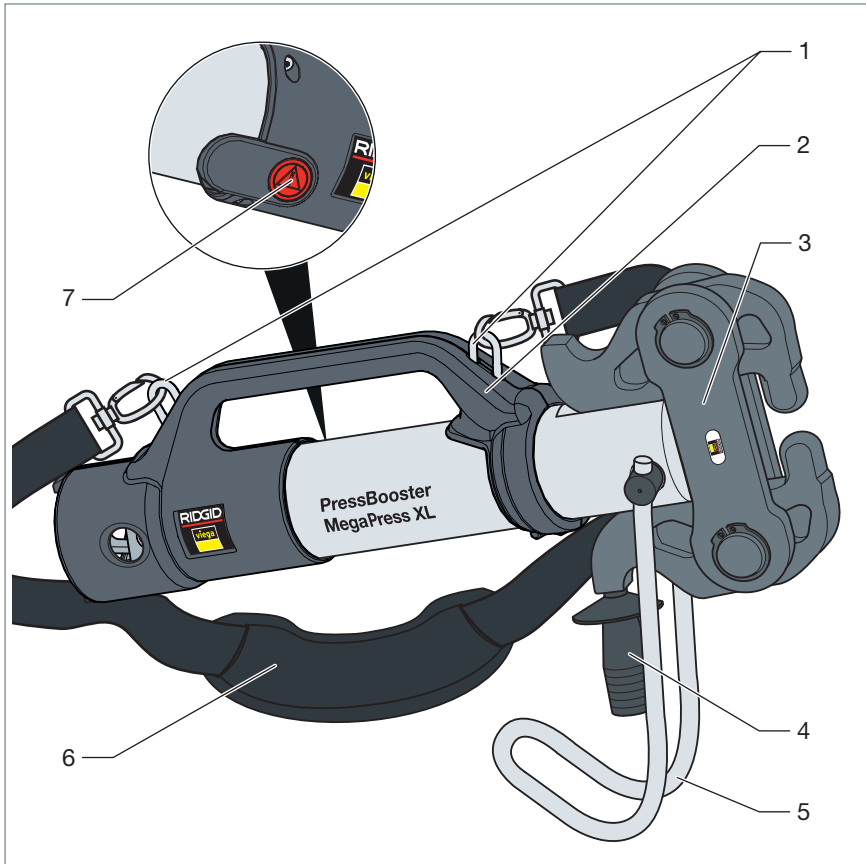
### 2.2 Intended use

#### 2.2.1 Areas of use

The PressBooster is a press capacity booster. Together with a Ridgid RP 340 (or comparable system press machines, such as the 330-B or 330-C) and the respective Viega system press rings, the PressBooster constitutes full-featured system press tool, which can make MegaPress connections from 2½ to 4 inches.

## 2.3 Product description

### 2.3.1 Overview



- 1 fastening lugs for the shoulder strap
- 2 carrying handle
- 3 hinged adapter jaw
- 4 control handle
- 5 guard bracket
- 6 shoulder strap
- 7 button for manual release

## System scope

The MegaPress XL tool system consists of the following components:

Set	Stock Code
PressBooster and press ring 2½ inch, in case	26200
Press ring 3+4 inch, in case	26201

Tab. 1: Tool sets

Components	Stock Code
PressBooster	26202
Press ring 2½ inch	26790
Press ring 3 inch	26203
Press ring 4 inch	26204

Tab. 2: Single components

### 2.3.2 Technical data

The product has the following technical data (approximate values; technical changes reserved):

<b>Drive [external]</b>	Press machines according to list on page 11
<b>Operating temperature</b>	23 °F to 122 °F
<b>Permitted storage temperature</b>	32 °F to 113 °F
<b>Permitted humidity</b>	0% to 80%
<b>Dimensions approx. [L x W x H]</b>	19.69 x 11.81 x 3.15 inches
<b>Weight of PressBooster</b>	approx. 18.1 lbs
<b>Weight of 2½ inch / 76.1 mm press ring)</b>	approx. 6 lbs
<b>Weight of 3 inch / 88.9 mm press ring</b>	approx. 7.1 lbs
<b>Weight of 4 inch / 114.3 mm press ring</b>	approx. 9.9 lbs

Tab. 3: Technical data

### 2.3.3 Operating mode

Combined with a press machine, the PressBooster serves to amplify the mechanical force output.

The PressBooster requires two presses of the press tool to execute a complete press for MegaPress 2½ to 4 inch fittings.

During the first press, the press machine moves the roller head of the PressBooster forward and presses the ball heads of the hinged adapter jaw into the contact points of the press ring, building up pressure. A second press, subsequently following the first, completes the pressing process. Before starting the next press, the trigger of the press machine may need to be pressed a third time to initiate a release cycle to reset the rollers back to the original position.



#### **NOTICE!**

As soon as the first press is completed, the PressBooster is locked into place and cannot be removed from the press ring. However, if you need to interrupt the press cycle, see “3.4 Interrupting the press cycle” on page 16.








## 3 Handling

### Warning and mandatory signs

Note the warning and mandatory signs on the PressBooster:

US

	<b>General warning sign</b>
	<b>Hand injury warning</b>
	<b>Electrical voltage warning</b>
	<b>Note the operating instructions</b> Read the instructions that accompanies the product before using the product.
	<b>Wear eye protection</b> Wear protective glasses when doing work marked with this symbol.

### 3.1 Transport and storage

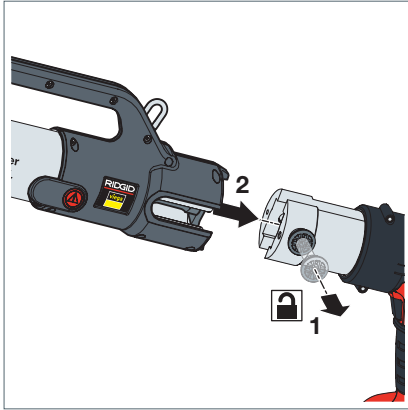
Protect the PressBooster from the following external factors:

- Shocks
- Wetness and moisture
- Dust and dirt
- Frost and extreme heat
- Chemical solutions and vapors

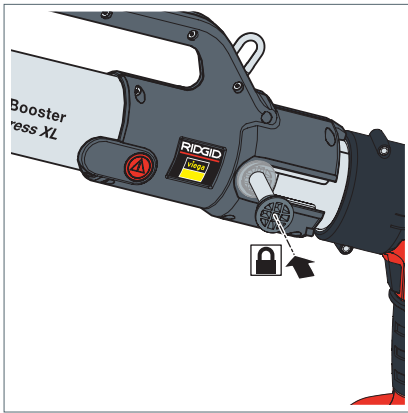
Clean the PressBooster and press rings before switching them off for longer periods of time and/or storage as per “3.5.1 Cleaning” on page 17.  
Store the PressBooster and press rings only in the cases provided.

## 3.2 Preparing the press tool

### Placing the PressBooster on the press machine



- Remove the retaining bolt of the press machine (1).
- Slide the PressBooster in via the press jaw fixture (2).



- Slide the retaining bolt of the press machine in as far as it will go.

### Using the shoulder strap

The shoulder strap assists the user when working at heights and other tasks that require the user to use both hands, as well as easily being able to lift and set down the complete tool.

Use the additional securing strap provided or the fabric loops on the press machine if available, to fasten the shoulder strap to the press machine. Utilizing the shoulder strap with the PressBooster ensures a safe carrying position and an optimal, ergonomic posture.

**NOTICE!**

Make sure that the securing strap does not slip. Always pull the securing strap tight.

**US**

The following pictures show the exact position for fasten the securing strap for each suitable press machine type:

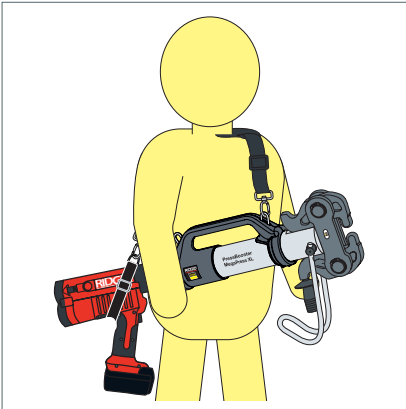


Position of the securing strap at Ridgid press machines:

- 1 RP 330-C
- 2 RP 330-B
- 3 RP 340-B



- Use clasps to fasten the strap ends to the PressBooster and the press machine as shown.



- Use the shoulder strap to sling the press tool over your shoulder.
  - In this position, you can safely carry the press tool.

### 3.3 Pressing

US



#### CAUTION!

##### Risk of crushing

Risk of getting your fingers and hands crushed.

- Hold the press tool during pressing with both hands at the handles.



#### NOTICE!

##### Property damage due to defective press ring

Using a defective, incorrectly dimensioned, or worn press ring may result in incorrect pressing.

- Before using the press rings, check them for visible defects.
- Only use defect-free press rings of a suitable size.



#### NOTICE!

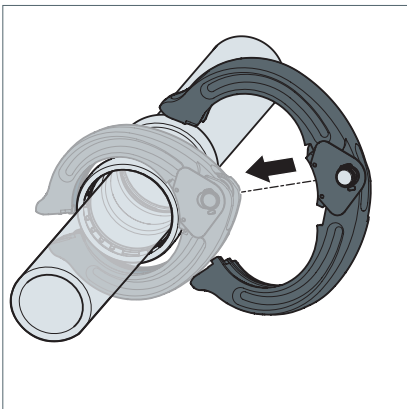
- Pressing without a press ring can jam the PressBooster.
- Do not perform a press without a press ring



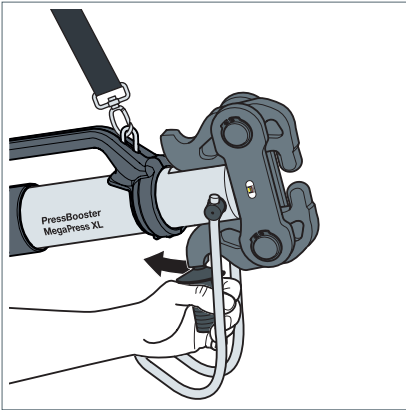
Also observe the instruction for use of the press machine and the MegaPress 2½ to 4 inch piping system you are using.

Requirements:

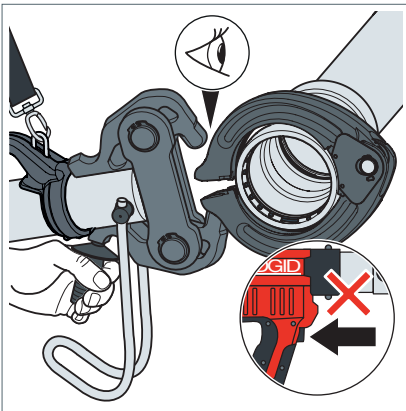
- The dimension of the fitting matches the dimension of the press ring.



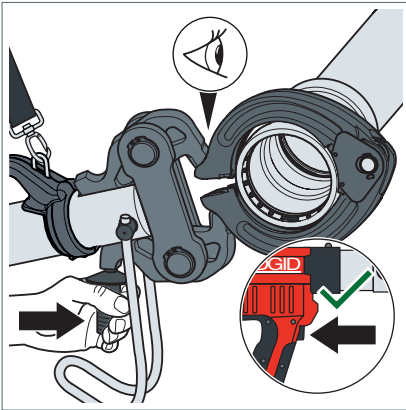
- Open the press ring and place it around the respective pressing point of the fitting.



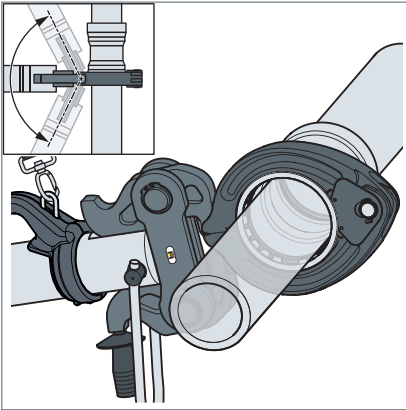
- Pull the handle at the hinged adapter jaw back.
- The hinged adapter jaw opens.



- Move the open hinged adapter jaw to the press ring.
  - Insert the ball heads of the hinged adapter jaw into the contact points of the press ring.
- NOTICE! Make sure the ball heads sit correctly in the contact points of the press ring.**



- Push the handle forward.
- The hinged adapter jaw closes.



- Align the PressBooster so that safe footing is ensured during pressing.
  - Depress the trigger on the press tool once to initiate the pressing process, wait two to three seconds and press the trigger a second time. The pressing process is complete and the rollers at the front of the booster will retract and the hinged adapter jaw will open.
- You have pressed the MegaPress 2½ to 4 inch fitting to the steel pipe.

**NOTE!** If you cannot fully open the hinged adapter jaw of the PressBooster via the handle, depress the trigger once more to initiate a release cycle. After a brief startup of the press machine, the press machine and the PressBooster return to their starting positions.



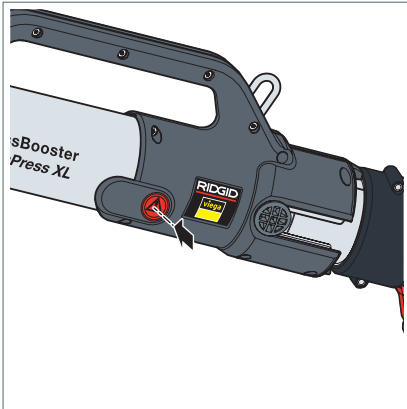
### NOTICE!

As soon as the first press is completed, the PressBooster is locked into place and cannot be removed from the press ring. However, if you need to interrupt the press cycle, see “3.4 Interrupting the press cycle” on page 16.

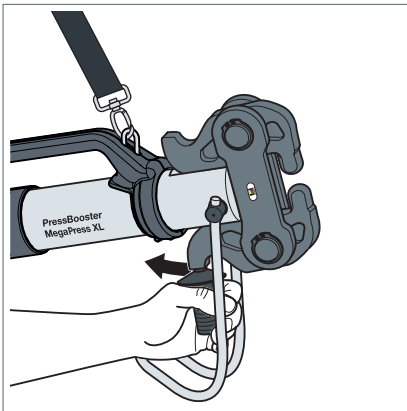
### 3.4 Interrupting the press cycle

#### Loosening the PressBooster from the press ring

In the event that the current press cycle must be interrupted, you can manually loosen the PressBooster from the press ring.



- Keep the button for manual unlocking pressed until the piston has fully retracted and the hinged adapter jaw is no longer stress loaded.



- Pull the handle at the hinged adapter jaw back.
  - The hinged adapter jaw opens.

#### Continuing an interrupted press cycle

Interrupted presses of MegaPress 2½ to 4 inch fittings can be resumed and completed later. This should only be done in extenuating circumstances and is applicable in cases where the cycle was interrupted between the first and second press, and the press ring was loosened manually.



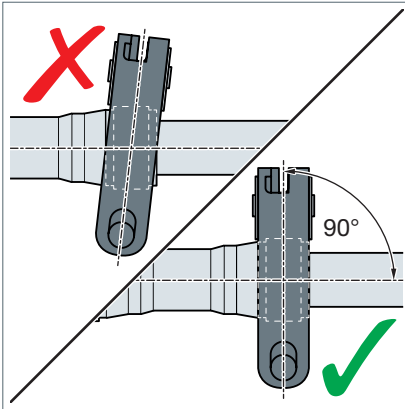


Before and during the first press stroke of the resumed pressing, note that the empty stroke is longer, and in particular note the following:

- The ball heads of the hinged adapter jaw must lie correctly in the contact points of the press ring.
- The press ring must be correctly seated and lay flush on the fitting.

Requirements:

- The fitting and the press tool are not damaged.



- Once more attach the press ring to the fitting.
- Complete the pressing process.

## 3.5 Care and maintenance

### 3.5.1 Cleaning

- Use a cloth to remove any dirt and metal residue from the PressBooster.
- Lubricate the joints and moving components with maintenance oil.
- Then, spray the hinged adapter jaw thinly with maintenance oil. Let it soak briefly, then wipe the part down with a lint-free cloth.

### 3.5.2 Inspection and maintenance

Have your machine serviced on schedule to ensure safety and availability. The maintenance interval is 20,000 presses or 2 years, whichever occurs first.

### 3.6 Troubleshooting

<b>Malfunction</b>	<b>Cause</b>	<b>Solution</b>
The hinged adapter jaw is stiff.	The hinged adapter jaw is dirty.	Clean the hinged adapter jaw, see “3.5.1 Cleaning” on page 17.
You cannot open the hinged adapter jaw of the PressBooster wide enough to attach it to the press ring.	The PressBooster did not reset to the starting position.	Carry out the release cycle press.
Machine will not initiate press after starting the cycle.	PressBooster is defective.	Send your PressBooster to your local service point.
The PressBooster requires more than 3 cycles to complete a full press.	The PressBooster is dirty or not lubricated enough.	Clean and lubricate the PressBooster, see “3.5.1 Cleaning” on page 17.
	The press tool is defective or incompatible.	Check compatibility with the Booster and use a different press machine.
The PressBooster fails to retract fully after a third cycle.	The PressBooster is in need of servicing.	Use the manual release to loosen the jaws and send your PressBooster to your local service point.
The PressBooster fails to retract fully after a 3rd cycle and will not release manually.	PressBooster is defective.	Contact your local Viega or Ridgid representative.
It is not possible to place the PressBooster on the Press ring (unpressed fitting).	A release cycle has to be done.	Initiate a release cycle, see “3.3 Pressing” on page 13.

### 3.7 Service partners

For maintenance and repair of the Viega system press tools, contact the service partner in your country.

**US**

Company		Address / contact information
US	Ridgid	Ridge Tool Company 400 Clark St Elyria, Ohio 44035 United States Phone: 1-800-4-RIDGID (1-800-474-3443)

### 3.8 Disposal

For environmentally friendly disposal, send the PressBooster to your next customer service point or give it to a recycling company. Do not dispose of press tools with the household trash and do not scrap them.

**> Viega LLC**  
585 Interlocken Blvd.  
Broomfield, CO 80021

Phone (800) 976-9819

[www.viega.us](http://www.viega.us)

