

Tech Data

Viega ProPress® 316 2½" to 4" Cross



Description

The ProPress 316 2½" to 4" cross can be used when making back-to-back threaded connections in general utility, chilled water, hydronic heating, vacuum, and compressed air systems. The ProPress 316 2½" to 4" cross is equipped with Smart Connect® technology for easy identification of unpressed connections during pressure testing.

ProPress 316 2½" to 4" crosses are available in the following sizes:

2½" x 2½" x ¾" FPT x ¾" FPT

3" x 3" x ¾" FPT x ¾" FPT

4" x 4" x ¾" FPT x ¾" FPT



This document is subject to updates. For the most current Viega technical literature please visit www.viega.us.

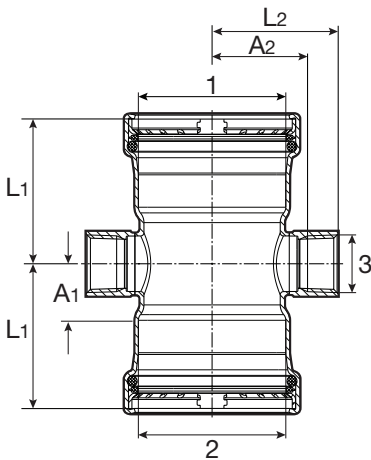


Viega products are designed to be installed by licensed and trained plumbing and mechanical professionals who are familiar with Viega products and their installation. **Installation by non-professionals may void Viega LLC's warranty.**

Features

- Smart Connect® technology
- 316 Stainless Steel
- EPDM Sealing Element
- FPT Branch Connections

ProPress 316 2½" to 4" Cross Stainless Steel P x P x FPT x FPT - Model 4044.2XL



Part No.	Size (in)	A1 (in)	A2 (in)	L1 (in)	L2 (in)
316	1 2 3				
80067	2½ x 2½ x ¾	1.02	1.73	2.62	2.28
80069	3 x 3 x ¾	1.04	1.98	3.01	2.54
80068	4 x 4 x ¾	1.08	2.50	3.44	3.05

Viega LLC
585 Interlocken Blvd.
Broomfield, CO 80021

Phone (800) 976-9819
www.viega.us

TD-PP 0522 316 2½ to 4 Cross

