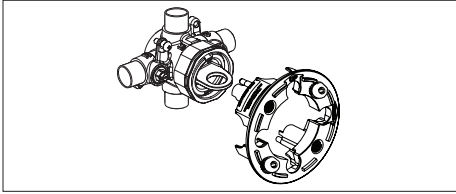


User Guide

Viega Flash Shower Valve Model 2842.6



i Compatible only with American Standard pressure balance tub/shower, shower only, and valve only trims. Visit www.americanstandard-us.com for more information.

i To ensure that your installation proceeds smoothly, please read these instructions carefully before you begin.

Recommended Tools

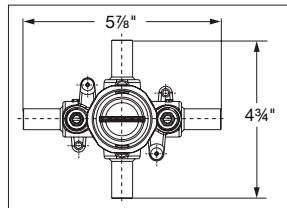
- Phillips screwdriver
- Flat blade screwdriver
- Tubing cutter
- Adjustable wrench
- Channel locks
- Plumber's putty or caulking

! Viega products are designed to be installed by licensed and trained plumbing and mechanical professionals who are familiar with Viega products and their installation. **Installation by non-professionals may void Viega LLC's warranty.**

i This document is subject to updates. For the most current Viega technical literature please visit www.viega.us.

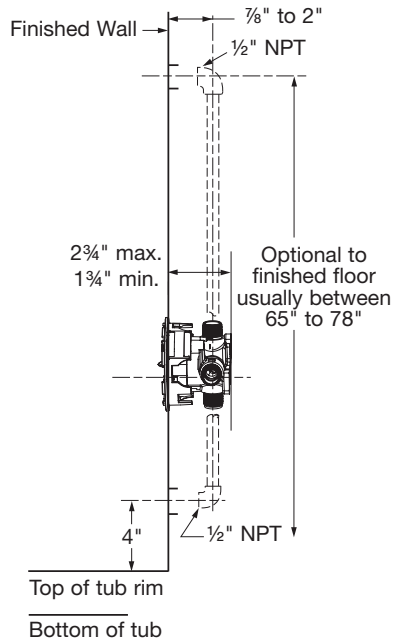
Roughing-in Dimensions

To assure proper positioning in relation to wall, note roughing-in dimensions.



Inlets:
1/2" Stub Out

Outlets:
1/2" Stub Out



i To avoid shower rise or other related issues, do not use PEX connections at the tub outlet connecting to the tub spout.

Standard Wall Installation



CAUTION!

Turn off hot and cold water supplies before beginning.

- See Roughing-in diagram before starting.
- Remove the PLASTER GUARD (8) for proper installation.
- Mount VALVE BODY to cross brace (2" x 4") with-in wall. Use wood screws to secure VALVE BODY to brace.
- Connect HOT and COLD water supplies. See [ProPress ½ to 2 Product Instructions](#) to make a ProPress connection.
- Connect RISER PIPE (1) to VALVE BODY (2) top outlet marked "UP".
- Connect TUB FILLER PIPE (3) to bottom outlet.
- Install PLASTER GUARD (8) back onto the valve. Only remove PLASTER GUARD (8) when ready to install trim Kit.

- Finished wall should allow for a 4" diameter opening (Use PLASTER GUARD for guidance)
- Screw driver stops are primarily used to shut water off. To shut "HOT" or "COLD" water using a flat head screw driver, turn the head of the screw vertically. And to turn the water back on, turn the screw horizontally.

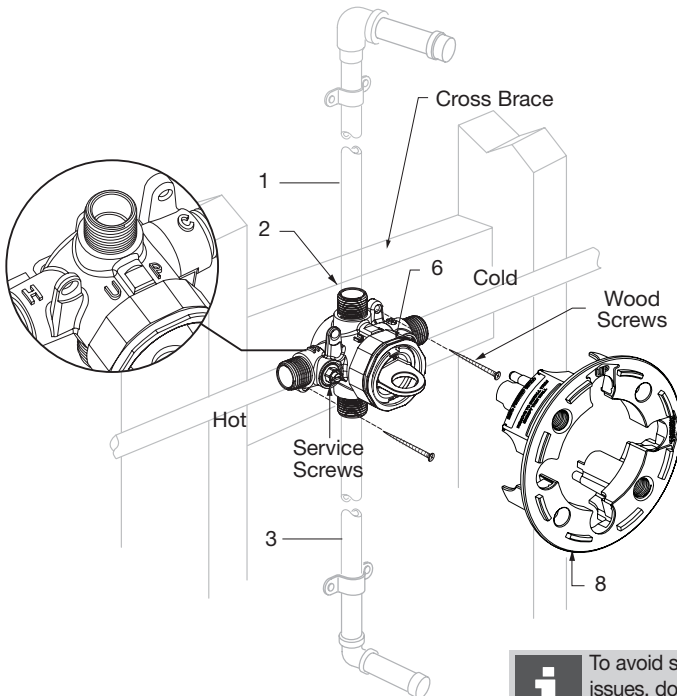


CAUTION!

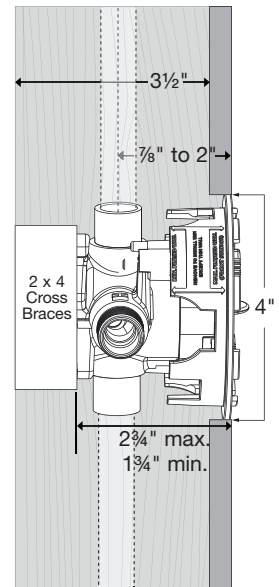
After valve installation, inspect the VALVE BODY for any debris. It can damage Pressure Balance Valve cartridge.



For back to back installation, follow steps mentioned above. Reversal of Hot/Cold water supplies is accomplished by rotating cartridge (supplied with trim) 180° during installation.



Side View



To avoid shower rise or other related issues, do not use PEX connections at the tub outlet connecting to the tub spout.

Thin Wall Installation



CAUTION!

Turn off hot and cold water supplies before beginning.

- See Roughing-in diagram before starting.
- Finished wall should allow for a 3½" diameter opening (Use PLASTER GUARD for guidance).
- Remove PLASTER GUARD (8), rotate 90° counter clockwise and install the two screws. (Thin wall text should be on top)
- Use SELF-CENTERING HOLE GUIDES (9) as a guide for thin wall install.
- LOCKING SCREW (10) keeps valve in place when installing. Completely Thread LOCKING SCREW (10) onto PLASTER GUARD (8).
- During the installation, make sure to position the Locking feature screw as shown in Figure A below. Once the valve is positioned on the Thin Wall, turn counterclockwise as shown in Figure B to secure VALVE BODY (2) in place.

- Connect HOT and COLD water supplies. See [ProPress ½ to 2 Product Instructions](#) to make a ProPress connection.
- Connect RISER PIPE (1) to VALVE BODY (2) top outlet marked "UP".
- Connect TUB FILLER PIPE (3) to bottom outlet.

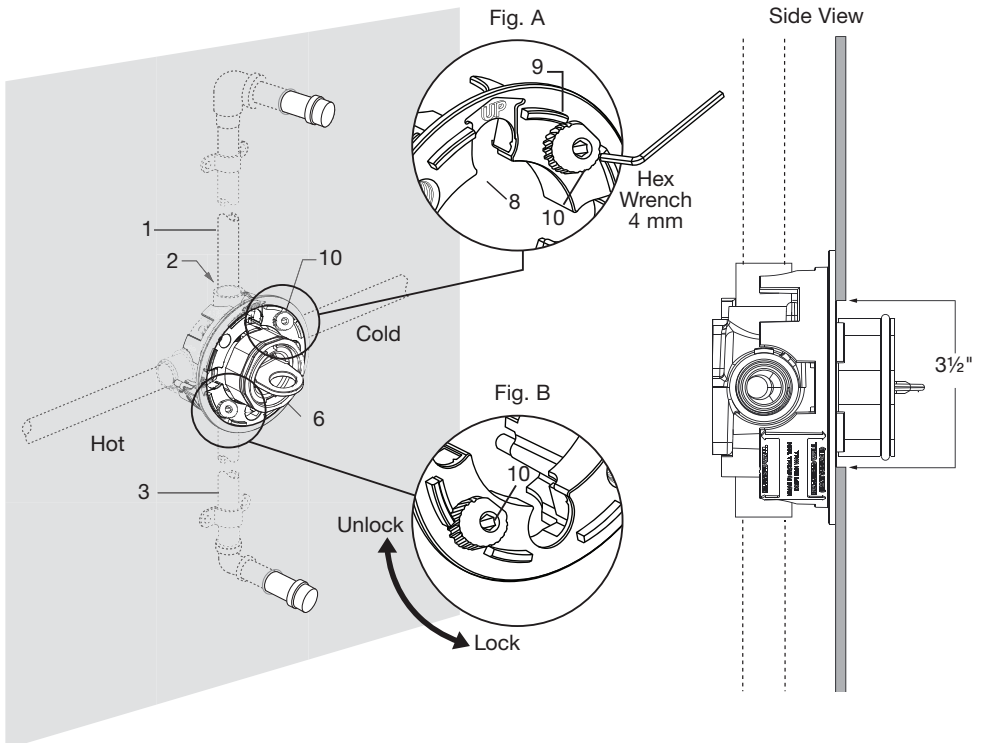


CAUTION!

After valve installation, inspect the VALVE BODY for any debris. It can damage Pressure Balance Valve cartridge.

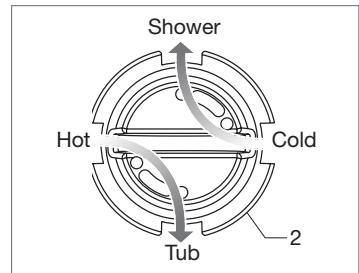
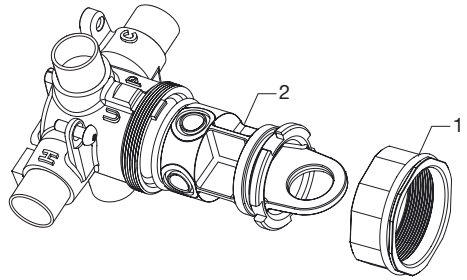


For back to back installation, follow steps mentioned above. Reversal of Hot/Cold water supplies is accomplished by rotating cartridge (supplied with trim) 180° during installation.

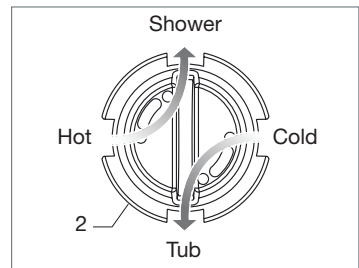


Test Procedures For Flush Plug

- Valve comes with Flush Plug that allows hot and cold supply lines to be flushed independently (without cross flow).
- Flush plug is shipped in Orientation A.
 - ORIENTATION A directs cold water through the shower port and hot water through the tub port.
- Flush plug can be reversed to Orientation B.
 - ORIENTATION B directs cold water through the tub port and hot water through the shower port.
- For shower only installation flush cold supply line first in Orientation A. Then reverse to Orientation B and flush hot supply line. Alternatively, the flush plug can be removed entirely to flush water through the valve body.
- To switch between orientations follow these steps:
 - Unthread BONNET NUT (1).
 - Rotate FLUSH PLUG (2) 90 degrees to desired orientation.
 - Rethread BONNET NUT (1).
- Upon completion of flushing both hot and cold supply lines unthread BONNET NUT (1), remove FLUSH PLUG (2), and rethread BONNET NUT (1).



Orientation A (as shipped)



Orientation B

> Viega LLC

585 Interlocken Blvd.
Broomfield, CO 80021

Phone (800) 976-9819
www.viega.us

UG-PP 530595 0520 Flash Shower Valve 2842-6 (EN)