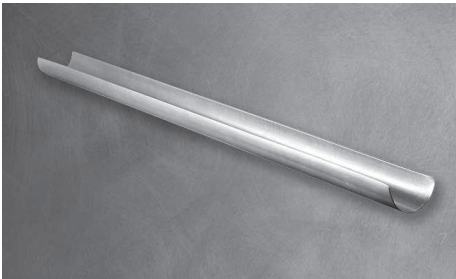


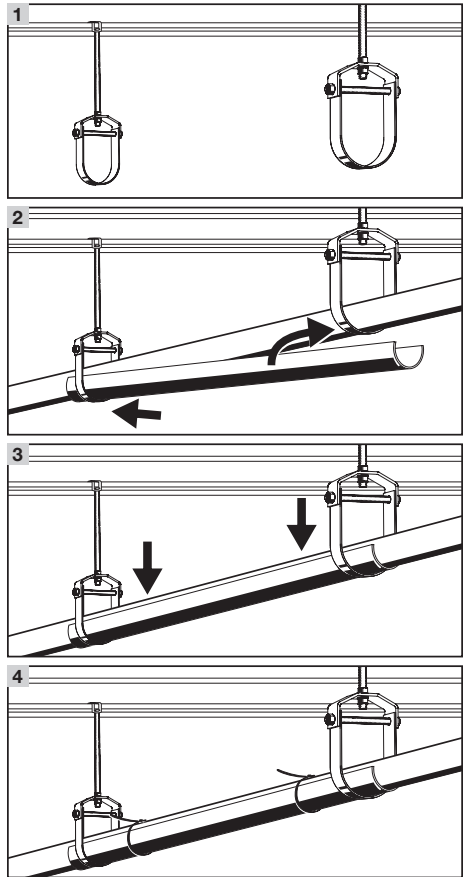
User Guide

Viega PureFlow® Support Trays



Viega PureFlow support trays are for use with clevis hangers and/or coated ring clamps to help reduce the number of support hangers required for hanging PureFlow tubing. These trays are available in 10 ft. lengths for ½" through 2" PureFlow tubing sizes.

- 1 Install hangers at recommended spacing per table below.
- 2 Install PureFlow tubing, slide the support trays under the tubing and into the hangers.
- 3 Snap the tubing into the support trays.
- 4 Trays shall be strapped to the tubing using Viega zip ties (or equivalent) every 48" (2 straps for trays less than 48" in length) for clevis and/or tear drop hangers and only once between clamp type hangers.



CAUTION! When using tin snips or a reciprocating saw to trim support trays for shorter tubing runs, be sure to remove any sharp edges prior to installing trays onto the PureFlow tubing.

i Where space is available, it may be easier to install the support trays on the PureFlow tubing while on the floor and then install the tubing with trays attached onto the hangers.

! Viega products are designed to be installed by licensed and trained plumbing and mechanical professionals who are familiar with Viega products and their installation. **Installation by non-professionals may void Viega LLC's warranty.**

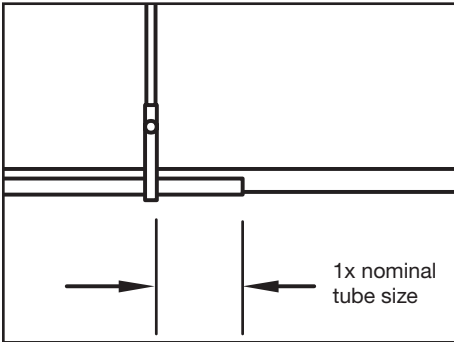
Tubing Size (in)	Spacing Intervals				
	Between Hangers* (ft)	Hanger to End of Tray	Between Trays (in)	Fitting to Tray (in)	Tray Overlap** (in)
½ - 1	8 max	min 1x nominal tube size	32	2 min	4 min
1¼ - 2	8 max	min 1x nominal tube size	48	2 min	4 min

*Where trays are installed continuously it may be necessary to use closer hanger spacing to maintain a consistent hanger interval.

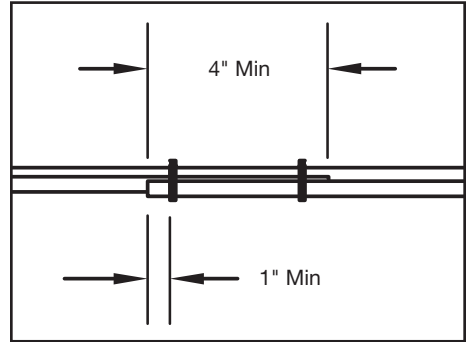
**A maximum of two continuous tray lengths shall be used where thermal compensation and/or offsets are required, typically every 50 ft.

Installation Details

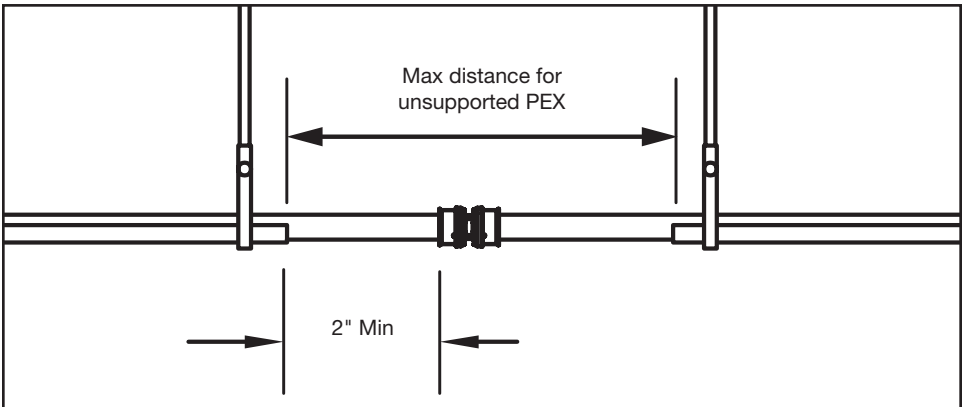
Hanger to end of tray



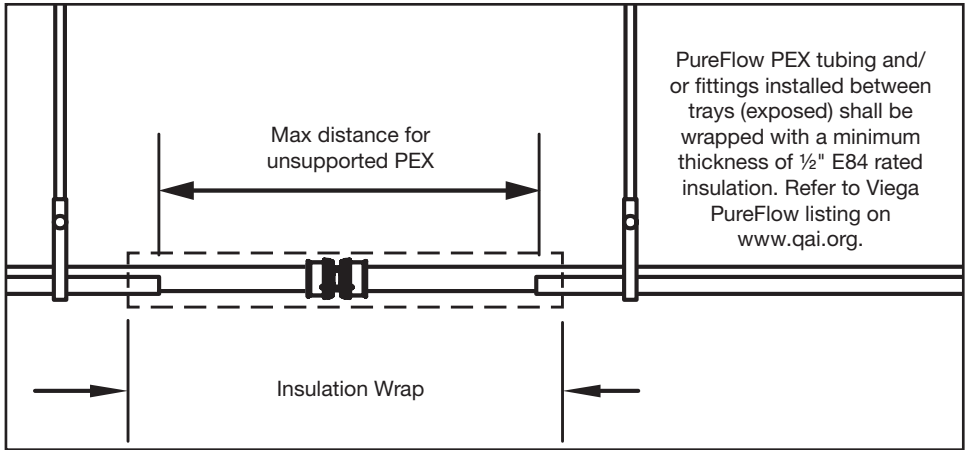
Overlap detail with straps



Fitting to tray / between trays



Plenum installation



Tray strapping detail

