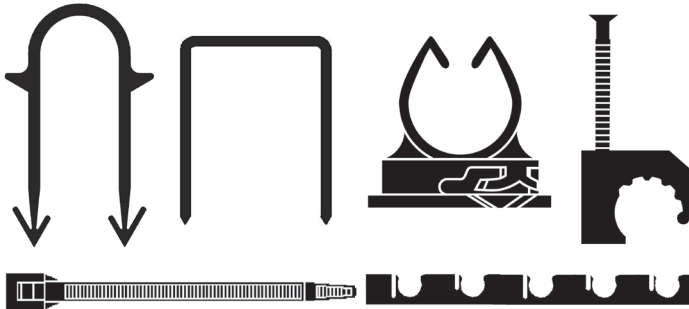


Tech Data

Viega Barrier PEX Tubing Fasteners



This document is subject to updates. For the most current Viega technical literature please visit www.viega.us.

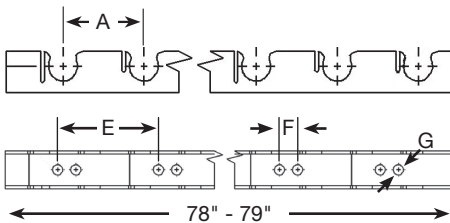


Viega products are designed to be installed by licensed and trained plumbing and mechanical professionals who are familiar with Viega products and their installation. **Installation by non-professionals may void Viega LLC's warranty.**

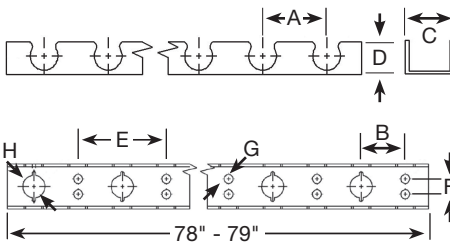
Description

Viega offers several different types of fasteners for attaching Viega Barrier PEX tubing to different surfaces. Whether attaching to foam board, rebar, wire mesh, concrete, or wood, Viega has the needed fastener. Below is the technical information relating to each.

Viega U-Channel Plastic - Model 2864US



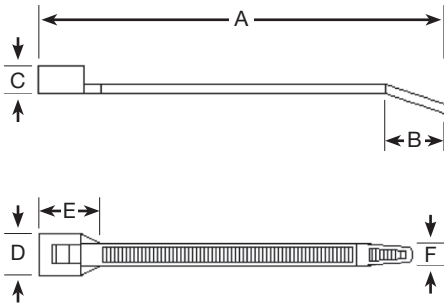
Part No.	Length of strip (ft)	Barrier Tube Dimension (in)	A (in)	B (in)	C (in)	D (in)	E (in)	F (in)	G (in)
15310	6.5	1/2	2.0	2.0	1.50	1.0	4.0	.71	.39
15311	6.5	5/8	2.0	2.0	1.50	1.0	4.0	.71	.39



Part No.	Length of strip (ft)	Barrier Tube Dimension (in)	A (in)	B (in)	C (in)	D (in)	E (in)	F (in)	G (in)	H (in)
15314	6.5	3/4	2.0	2.0	2.0	1.0	4.0	.67	.39	.98

Normal Uses: Attaching Viega Barrier PEX tubing to concrete or other flat surfaces
 Tubing Compatibilities: 1/2", 5/8", 3/4" Viega PEX tubing
 Material Makeup: Plastic
 Package Quantity: 16 U-channel strips

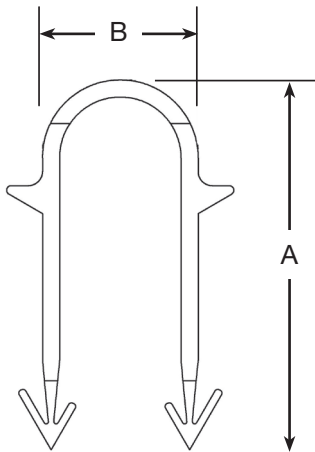
Viega Zip Ties Plastic - Model 2866US



Part No.	A (in)	B (in)	C (in)	D (in)	E (in)	F (in)
15304	8.0	0.7	0.22	0.31	0.40	0.17

Normal Uses: Attaching Viega Barrier PEX tubing to rebar and wire mesh.
Tubing Compatibilities: All sizes of Viega Barrier PEX tubing
Material Makeup: Nylon
Tensile Strength: 75 lbs.
Package Quantity: 100 zip ties

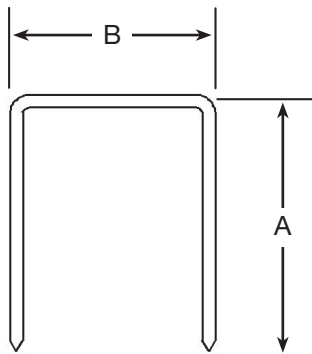
Viega Foam Staples Plastic - Model 2890.0US, 2890.3US



Part No.	A (in)	B (in)	Use With
15313	1½	1	1" thick foam panels
15312	2½	1	1½" thick or thicker foam panels

Normal Uses: Attaching Viega Barrier PEX tubing to rigid foam board insulation
Tubing Compatibilities: ⅜", ½", ⅝" Viega Barrier PEX tubing
Material Makeup: Plastic
Package Quantity: 300 staples
Associated Tools: Foam Staple Gun part number 21432. Also compatible with older straight handle foam staple gun.

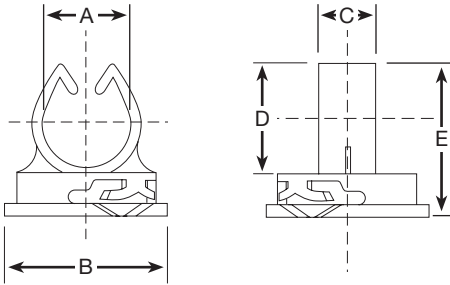
Viega Pneumatic Staples Galvanized Steel - Model 2889.8US



Part No.	A (in)	B (in)
21431	1.0	1.25

Normal Uses: Tubing Compatibilities: ⅜", ½", ⅝" Viega Barrier PEX tubing.
Tubing Compatibilities: 16 Ga. Galvanized staple
Material Makeup: Plastic
Package Quantity: 10,000 staples
Associated Tools: Pneumatic Staple gun part number 21430

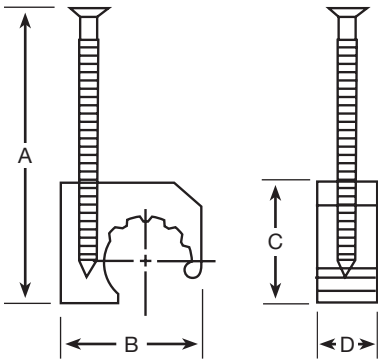
Viega Wire Mesh Clip Plastic - Model 2865.1US



Part No.	A (in)	B (in)	C (in)	D (in)	E (in)
15301	0.75	1.625	0.56	1.0	1.5

Normal Uses: Attaching Viega Barrier PEX tubing to wire mesh
 Tubing Compatibilities: ½", ¾" Viega Barrier PEX tubing
 Material Makeup: Plastic
 For Wire Diameter: ⅛" to ⅜"
 Package Quantity: 100 clips

Viega J-clamp Plastic - Model 2860US



Part No.	PEX Tubing Size (in)	A (in)	B (in)	C (in)	D (in)
52000	⅜	1.60	0.90	0.80	0.40
52020	½	1.60	1.10	0.90	0.40
52040	¾	2.13	1.30	1.20	0.42
52060	1	2.38	1.70	1.50	0.50

Normal Uses: Attaching Viega Barrier PEX tubing to wood surfaces
 Tubing Compatibilities: ⅜", ½", ¾", 1"
 Material Makeup: Plastic clip with ring shank steel nail
 Package Quantity: 100 J-clamps