

Tech Data

Viega Copper Manifold Brackets



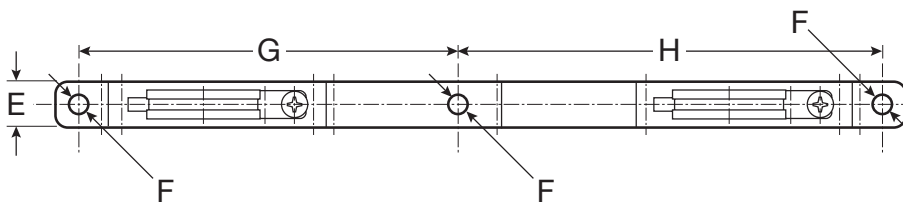
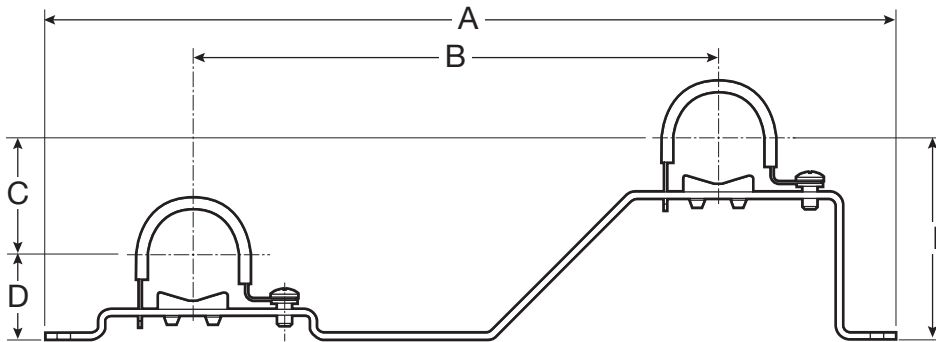
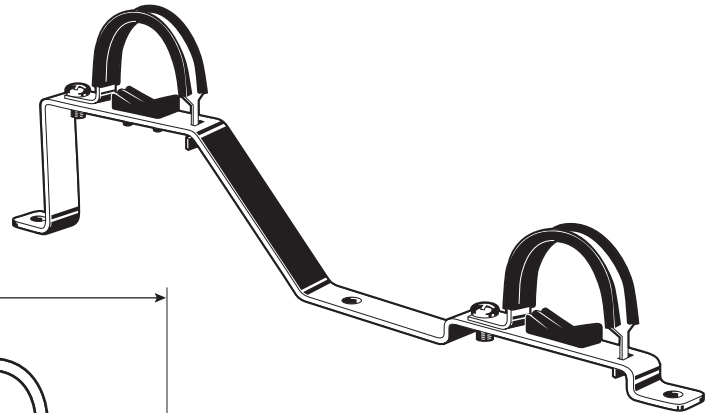
This document is subject to updates. For the most current Viega technical literature please visit www.viega.us.



Viega products are designed to be installed by licensed and trained plumbing and mechanical professionals who are familiar with Viega products and their installation. **Installation by non-professionals may void Viega LLC's warranty.**

Description

Viega copper manifold brackets are used to secure 1", 1½" and 2" Viega copper manifolds. The brackets are made from 12 gauge galvanized steel and the hanger portion of the bracket is rubber coated.



| Part No. | Size (in) | A (in) | B (in) | C (in) | D (in) | E (in) | F (in) | G (in) | H (in) | I (in) |
|----------|-----------|--------|--------|--------|--------|--------|--------|--------|--------|--------|
| 17145 | 1 | 10.08 | 5.00 | 1.00 | 1.20 | 0.79 | 0.33 | 5.00 | 4.29 | 2.20 |
| 17126 | 1½ | 14.57 | 9.00 | 2.00 | 1.46 | 0.79 | 0.33 | 6.50 | 7.28 | 3.46 |
| 17107 | 2 | 14.57 | 9.00 | 2.00 | 1.70 | 0.79 | 0.33 | 6.50 | 7.28 | 3.70 |

V Viega LLC
585 Interlocken Blvd.
Broomfield, CO 80021

Phone (800) 976-9819
www.viega.us

TD-HC 1119 Copper Manifold Brackets

