

Tech Data

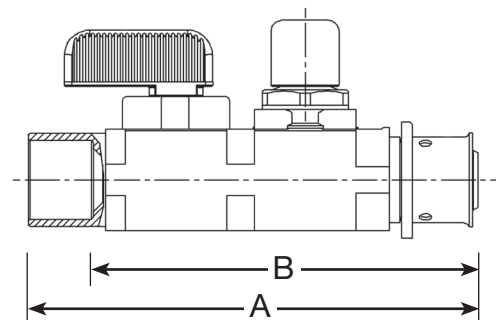
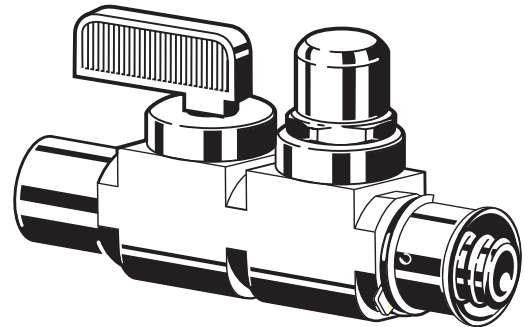
Viega Shut-Off / Balancing Valves



This document is subject to updates. For the most current Viega technical literature please visit www.viega.us.



Viega products are designed to be installed by licensed and trained plumbing and mechanical professionals who are familiar with Viega products and their installation. **Installation by non-professionals may void Viega LLC's warranty.**



Description

Shut-off / balancing valves are available in copper (female) x Viega PEX Press only. These shut-off / balancing valves are commonly used to connect radiant heating, cooling, and snow-ice melting tubing to Viega valveless copper manifolds or other copper to PEX Press connections.

Specifications

- Min. Temperature: 36°F
- Max. Temperature: 250°F
- Max. Pressure: 200 psi
- Max. Glycol Mix: 50%

Valve Size (in)	Approximate Cv Rating
1/2	3.0
5/8	6.0
3/4	6.0

$$\frac{\text{Circuit Length (ft)}}{\text{Longest Circuit (ft)}} \times 10 = \# \text{ of Turns for Balancing}^*$$

*The number of full 360° turns open from a fully closed position

Part No.	Valve	Description	A (in)	B (in)
17263	Shut-Off / Balancing	1/2" PEX Press x 1/2" Copper (female)	3.59	3.08
17264	Shut-Off / Balancing	5/8" PEX Press x 3/4" Copper (female)	4.06	3.30
17265	Shut-Off / Balancing	3/4" PEX Press x 3/4" Copper (female)	4.98	3.22

V Viega LLC
585 Interlocken Blvd.
Broomfield, CO 80021

Phone (800) 976-9819
www.viega.us

TD-HC 1119 Shut-Off - Balancing Valves

