

Product Instructions

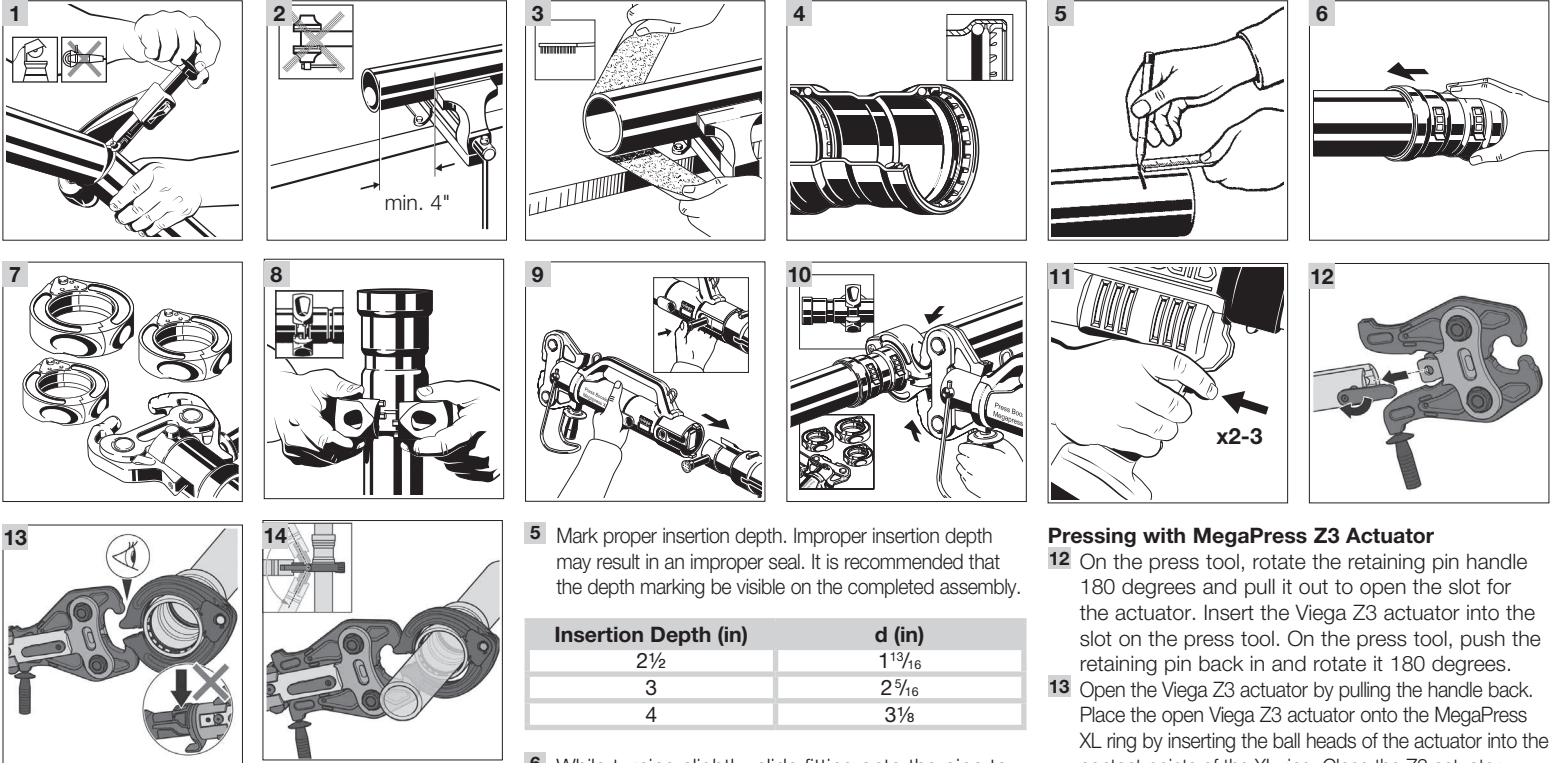
Viega MegaPress® Stainless 2½" to 4" Fittings



Viega LLC
585 Interlocken Blvd.
Broomfield, CO 80021

Phone (800) 976-9819
www.viega.us

PI-MP 591334 0622 MegaPress Stainless 2½ to 4



EN

Viega MegaPress Stainless 2½" to 4" Fittings

! Viega products are designed to be installed by licensed and trained plumbing and mechanical professionals who are familiar with Viega products and their installation. **Installation by non-professionals may void Viega LLC's warranty.**

DANGER!
! **Read and understand all instructions for installing Viega MegaPress Stainless fittings.** Failure to follow all instructions may result in extensive property damage, serious injury, or death.

- 1 Cut pipe at right angles using displacement type cutter.
- 2 Keep end of pipe a minimum of 4" away from the contact area of the vise to prevent possible damage to the pipe in the press area.
- 3 Remove burr from inside and outside of the pipe and prep to proper insertion depth using a preparation tool or fine grit sandpaper.
- 4 Check seal and grip ring for correct fit. Do not use oils or lubricants. Illustration demonstrates proper fit of grip ring, separation ring, and sealing element.

- 5 Mark proper insertion depth. Improper insertion depth may result in an improper seal. It is recommended that the depth marking be visible on the completed assembly.

Insertion Depth (in)	d (in)
2½	1 ¹³ / ₁₆
3	2 ⁵ / ₁₆
4	3 ³ / ₈

- 6 While turning slightly, slide fitting onto the pipe to the marked depth. End of pipe must contact stop.
- 7 Viega MegaPress 2½" to 4" fitting connections must be made using MegaPress XL rings and either the MegaPress XL PressBooster or the MegaPress Z3 actuator.

Warning!
! Keep extremities and foreign objects away from press tool during pressing operation to prevent injury or incomplete press.

- 8 Open MegaPress XL ring and place at right angles on the fitting. The MegaPress XL ring must be engaged on the fitting bead. Check insertion depth.

Pressing with MegaPress XL PressBooster

- 9 Remove the retaining bolt of the press machine. Slide the PressBooster in via the press jaw fixture. Slide the retaining bolt of the press machine in as far as it will go.
- 10 To open the PressBooster jaw, pull the handle at the hinged adapter jaw back. Place PressBooster onto the MegaPress XL ring by inserting the ball heads of the hinged adapter jaw into the contact points of the XL ring. Push the handle forward to close the hinged adapter jaw.
- 11 Hold the trigger until the actuator has engaged the MegaPress XL ring. The PressBooster requires two presses of the trigger to execute a complete press. A third press may be needed to initiate a release cycle to reset the rollers back to the original position.

EN Product Instructions Viega MegaPress Stainless 2½" to 4" Fittings

This document is subject to updates. For the most current Viega technical literature please visit www.viega.us.

Pressing with MegaPress Z3 Actuator

- 12 On the press tool, rotate the retaining pin handle 180 degrees and pull it out to open the slot for the actuator. Insert the Viega Z3 actuator into the slot on the press tool. On the press tool, push the retaining pin back in and rotate it 180 degrees.
- 13 Open the Viega Z3 actuator by pulling the handle back. Place the open Viega Z3 actuator onto the MegaPress XL ring by inserting the ball heads of the actuator into the contact points of the XL ring. Close the Z3 actuator.
- 14 Start the pressing process by holding the press tool trigger until the actuator has engaged the XL ring. When the press cycle is complete, the actuator will stop and release.