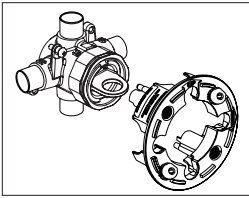


Tech Data

Viega Flash Shower Valve Models 2842.5 and 2842.6



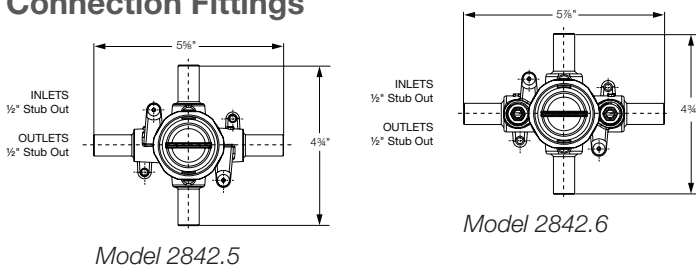
Description

The Flash Shower Valve body features cast DZR brass construction with a pre-installed flush plug with stainless steel retaining ring with flats, back-to-back capability, and ½" copper stub-out connections. Available with screwdriver stops. It has a plaster guard designed as a rough-in guide and for use as a thin wall mounting support.

Features

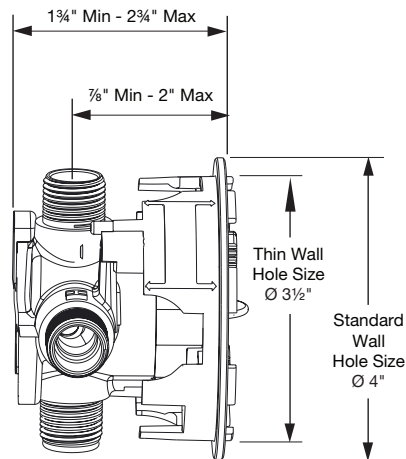
- Choice of connections: copper stub-outs can accommodate ProPress® and PureFlow® connections.
- Cast DZR brass valve body: durable, ideal material for prolonged contact with water. Resists corrosion due to high chloride and pH levels in water.
- Flat back: allows valve to be mounted flush against cross brace for easy and solid installation.
- Flush plug: allows valve body to be tested and flushed without the presence of the valve cartridge. Can be tested using Flush Plug with air (100 psi) or water (300 psi).
- Stainless steel retaining ring with flats: secures test cap/cartridge in place and eliminates need for screws. Flats make it simple to loosen ring for quick, easy insertion/removal of test cap/cartridge.
- Back-to-back capability: hot and cold can be reversed quickly and easily.
- Exclusive plaster guard: plaster guard is designed to protect valve and act as a guide during installation. It can serve as mounting support for thin-wall installations.
- Wide rough-in range: from 1¾" to 2¾" from finished wall to the back of the valve.

Shower Valves with Stub-outs for Press Connection Fittings

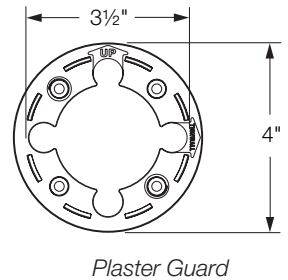


2842.5 - M985072 (Rev 1.0), 2842.6 - M985073 (Rev 1.0)
TD-PP 1020 Flash Shower Valve

SIDE VIEW



FRONT VIEW



Codes and Standards

This product meet or exceed the following codes and standards:

- ASSE 1016
- ASME A112.18.1016
- CSA B125.16
- ASME A112.18.1
- CSA B125.1



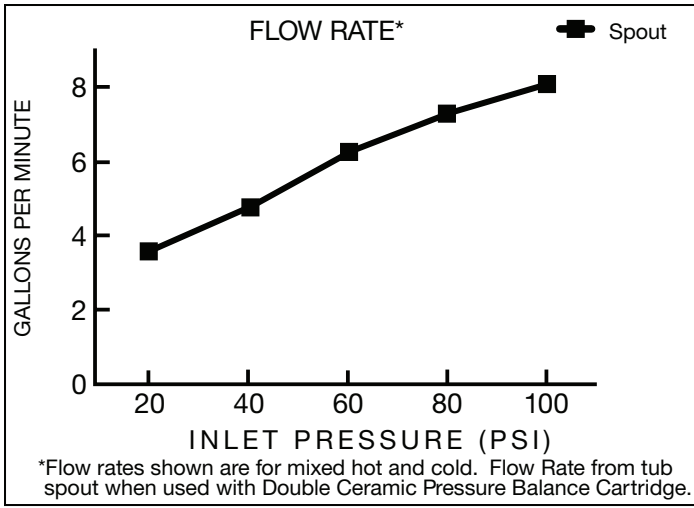
Compatible only with American Standard pressure balance tub/shower, shower only, and valve only trims. Visit www.americanstandard-us.com for more information.

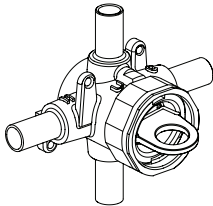
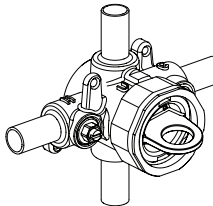


Viega products are designed to be installed by licensed and trained plumbing and mechanical professionals who are familiar with Viega products and their installation. **Installation by non-professionals may void Viega LLC's warranty.**



This document is subject to updates. For the most current Viega technical literature please visit www.viega.us.



STUB-OUT FOR PRESS-CONNECT FITTINGS	
RU102	RU102SS
	
1/2" Stub-Out Inlets/ Outlets	1/2" Stub-Out Inlets/ Outlets
	Screwdriver Stops