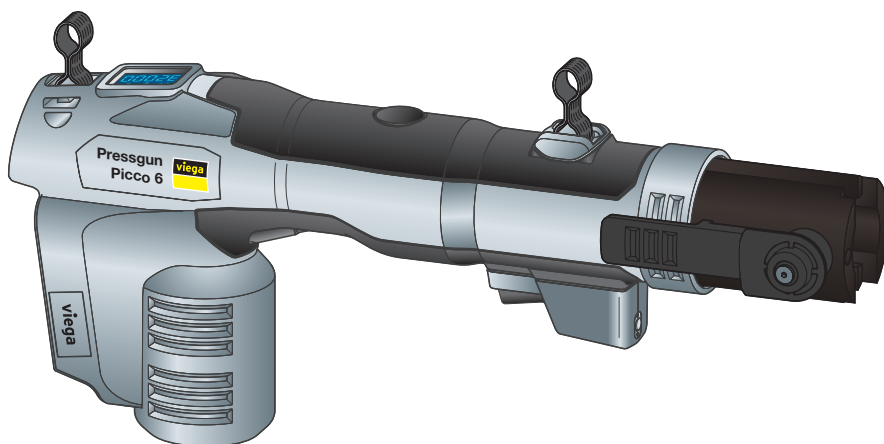


## Instructions for Use

# Viega Pressgun Picco 6

US



**Model** 2989.3  
**Model Year** 04/2020



# Content

<b>1</b>	<b>Instructions for Use</b>	<b>3</b>
1.1	Disclaimer	3
1.2	Symbols Used	3
1.3	Audience	4
1.4	Terms	4
<b>2</b>	<b>Product Information</b>	<b>5</b>
2.1	General Safety Instructions for Electrical Tools	5
2.2	Areas of Use	8
2.3	Product Description	9
<b>3</b>	<b>Handling</b>	<b>15</b>
3.1	Transport and Storage	15
3.2	Commissioning	16
3.3	Carrying out the Press	17
3.4	Interrupting the Press	18
3.5	Battery and Charger	18
3.6	Troubleshooting	19
3.7	Care and Maintenance	21
3.8	Service Partners	22
3.9	Disposal	23
3.10	Warranty	23

# 1 Instructions for Use

## 1.1 Disclaimer



This document is subject to updates. For the most current Viega technical literature please visit [www.viega.us](http://www.viega.us).

**US**

Viega products are designed to be installed by licensed and trained plumbing and mechanical professionals who are familiar with Viega products and their installation. Installation by non-professionals may void Viega LLC's warranty.

## 1.2 Symbols Used

Within this document, the following symbols may be used:



### **DANGER!**

This symbol warns of possible life-threatening injury.



### **WARNING!**

This symbol warns of possible serious injury.



### **CAUTION!**

This symbol warns of possible injury.




### **NOTICE!**


This symbol warns of possible damage to property.




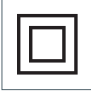
Notes give you additional helpful tips.


Observe the warning signs and symbols on the press machine and its accessories:


- 


**Danger of crushing your hands, fingers, and other body parts.**
- 


**Use electrical tools and accessories only in areas protected from moisture.**
- 

**Danger of electric shock.**
- 

**Protection class II (double insulated enclosure)**
- 

**Observe the operating instructions.**  
Read the operating and safety instructions carefully prior to the commissioning procedure.
- 

**The marked product must not be disposed of as household waste.**
- 

**Wear eye protection.**  
Wear safety glasses with side protection to avoid injury.
- 

**Recyclable lithium ion rechargeable batteries, see chapter on "Disposal".**

### 1.3 Audience

The information in this document is directed at the following groups of people:  
 ■ Heating and plumbing professionals and trained personnel.

### 1.4 Terms

The following terms are used in this document:

Term	Meaning
Viega system press machine Pressgun Picco 6	Press machine
Viega system press jaws	Press jaws
Viega system press rings	Press rings
Viega system press tool	Combination of press tool, for example: ■ Press machine and press jaw ■ Press machine with hinged actuator and press ring

## 2 Product Information

### 2.1 General Safety Instructions for Electrical Tools

This section comprises general instructions for numerous different products and electrical tools. Consequently, not every safety instruction will necessarily apply to this tool.

US



#### **WARNING!**

**Read all safety warnings, instructions, illustrations and specifications provided with this power tool.**

Failure to follow all instructions listed below may result in electric shock, fire, and/or serious injury.

#### **Save all warnings and instructions for future reference.**

The term “power tool” in the warnings refers to the corded power tool or battery-operated (cordless) power tool.

#### **1) Work Area Safety**

##### **a) Keep work area clean and well lit.**

*Cluttered or dark areas invite accidents.*

##### **b) Do not operate power tools in explosive atmospheres, such as in the presence of flammable liquids, gases, or dust.**

*Power tools create sparks which may ignite the dust or fumes.*

##### **c) Keep children and bystanders away while operating a power tool.**

*Distractions can cause you to lose control.*

#### **2) Electrical Safety**

##### **a) Power tool plugs must match the outlet. Never modify the plug in any way. Do not use any adapter plugs with grounded power tools.**

*Unmodified plugs and matching outlets will reduce risk of electric shock.*

##### **b) Avoid body contact with grounded surfaces, such as pipes, radiators, ranges, and refrigerators.**

*There is an increased risk of electric shock if your body is grounded.*

##### **c) Do not expose power tools to rain or wet conditions.**

*Water entering a power tool will increase the risk of electric shock.*

##### **d) Do not abuse the cord. Never use the cord for carrying, pulling, or unplugging the power tool. Keep cord away from heat, oil, sharp edges, or moving parts.**

*Damaged or entangled cords increase the risk of electric shock.*

- e) **When operating a power tool outdoors, use an extension cord suitable for outdoor use.**

*Use of a cord suitable for outdoor use reduces the risk of electric shock.*

- f) **If operating a power tool in a damp location is unavoidable, use a residual current device (RCD) protected supply.**

*Use of an RCD reduces the risk of electric shock.*

### 3) Personal Safety

- a) **Stay alert, watch what you are doing and use common sense when operating a power tool. Do not use a power tool while you are tired or under the influence of drugs, alcohol, or medication.**

*A moment of inattention while operating power tools may result in serious personal injury.*

- b) **Use personal protective equipment. Always wear eye protection.**

*Protective equipment such as a dust mask, non-skid safety shoes, hard hat, or hearing protection used for appropriate conditions will reduce personal injuries.*

- c) **Prevent unintentional starting. Ensure the switch is in the off-position before connecting to power source and/or battery pack, picking up, or carrying the tool.**

*Carrying power tools with your finger on the switch or energising power tools that have the switch on invites accidents.*

- d) **Remove any adjusting key or wrench before turning the power tool on.**

*A wrench or a key left attached to a rotating part of the power tool may result in personal injury.*

- e) **Do not overreach. Keep proper footing and balance at all times.**

*This enables better control of the power tool in unexpected situations.*

- f) **Dress properly. Do not wear loose clothing or jewellery. Keep your hair and clothing away from moving parts.**

*Loose clothes, jewellery, or long hair can be caught in moving parts.*

- g) **If devices are provided for the connection of dust extraction and collection facilities, ensure these are connected and properly used.**

*Use of dust collection can reduce dust-related hazards.*

- h) **Do not let familiarity gained from frequent use of tools allow you to become complacent and ignore tool safety principles.**

*A careless action can cause severe injury within a fraction of a second.*

### 4) Power Tool Use and Care

- a) **Use the correct power tool for your application.**

*The correct power tool will do the job better and safer at the rate for which it was designed.*

- b) **Do not use the power tool if the switch does not turn it on and off.**

*Any power tool that cannot be controlled with the switch is dangerous and must be repaired.*

- c) **Disconnect the plug from the power source and/or remove the battery pack, if detachable, from the power tool before making any adjustments, changing accessories, or storing power tools.**

*Such preventive safety measures reduce the risk of starting the power tool accidentally.*

- d) **Store idle power tools out of the reach of children and do not allow persons unfamiliar with the power tool or these instructions to operate the power tool.**

*Power tools are dangerous in the hands of untrained users.*

- e) **Maintain power tools and accessories. Check for misalignment or binding of moving parts, breakage of parts and any other condition that may affect the power tool's operation. If damaged, have the power tool repaired before use.**

*Many accidents are caused by poorly maintained power tools.*

- f) **Keep cutting tools sharp and clean.**

*Properly maintained cutting tools with sharp cutting edges are less likely to bind and are easier to control.*

- g) **Use the power tool, accessories, and tool bits, etc. in accordance with these instructions, taking into account the working conditions and the work to be performed.**

*Use of the power tool for operations different from those intended could result in a hazardous situation.*

- h) **Keep handles and grasping surfaces dry, clean, and free from oil and grease.**

*Slippery handles and grasping surfaces do not allow for safe handling and control of the tool in unexpected situations.*

## 5) Battery Tool Use and Care

- a) **Recharge only with the charger specified by the manufacturer.**

*A charger that is suitable for one type battery pack may create a risk of fire when used with another battery pack.*

- b) **Use power tools only with specifically designated battery packs.**

*Use of any other battery packs may create a risk of injury and fire.*

- c) **When battery pack is not in use, keep it away from other metal objects, like paper clips, coins, keys, nails, screws, or other small metal objects, that can make a connection from one terminal to another.**

*Shorting the battery terminals together may cause burns or a fire.*

- d) **Under abusive conditions, liquid may be ejected from the battery; avoid contact. If contact accidentally occurs, flush with water. If liquid contacts eyes, seek medical help immediately.**

*Liquid ejected from the battery may cause irritation or burns.*

- e) **Do not use a battery pack or tool that is damaged or modified.**

*Damaged or modified batteries may exhibit unpredictable behaviour resulting in fire, explosion, or risk of injury.*

- f) **Do not expose a battery pack or tool to fire or excessive temperature.**

*Exposure to fire or temperature above 266° F may cause explosion.*

- g) Follow all charging instructions and do not charge the battery pack or tool outside the temperature range specified in the instructions.**

*Charging improperly or at temperatures outside the specified range may damage the battery and increase the risk of fire.*

## **6) Service**

- a) Have your power tool serviced by a qualified repair person using only identical replacement parts.**

*This will ensure that the safety of the power tool is maintained.*

- b) Never service damaged battery packs.**

*Service of battery packs should only be performed by the manufacturer or authorized service providers.*

## **7) Basic Safety Rules**

- a) Use the correct tools.**

*Only use the tools and accessories listed in the operating instructions. Do not use electric tools for purposes or work they are not intended for.*

- b) Secure the workpiece.**

*Use clamping devices or a vice to hold the workpiece. It is held more securely than it would be by hand and both your hands are free to operate the tool.*

- c) Leave protective equipment in place.**

- d) Hand-held devices must not to be used as stationary equipment.**

- e) Do not hold the device in the compression area.**

- f) Do not hold any body parts or foreign objects between the press jaws when activating the pressing cycle. Do not hold the jaw lever during the pressing cycle. Danger of crushing!**

*There is a danger of crushing the fingers and hands.*

- g) Observe the safety instructions for the use of cleaning and corrosion protection agents.**

- h) Ensure that the workpiece is not under tension.**

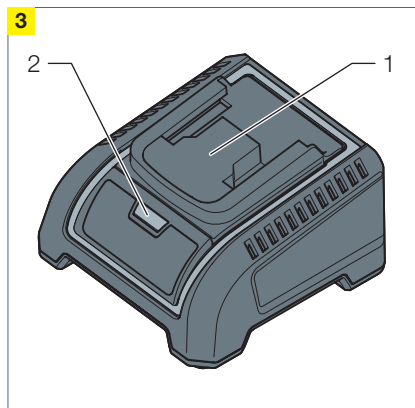
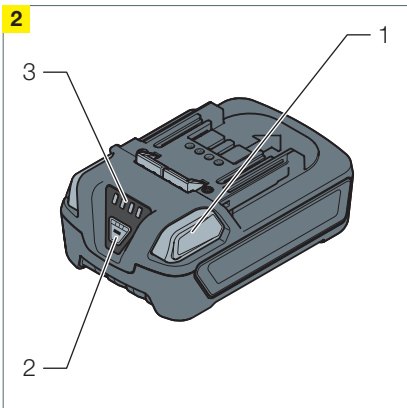
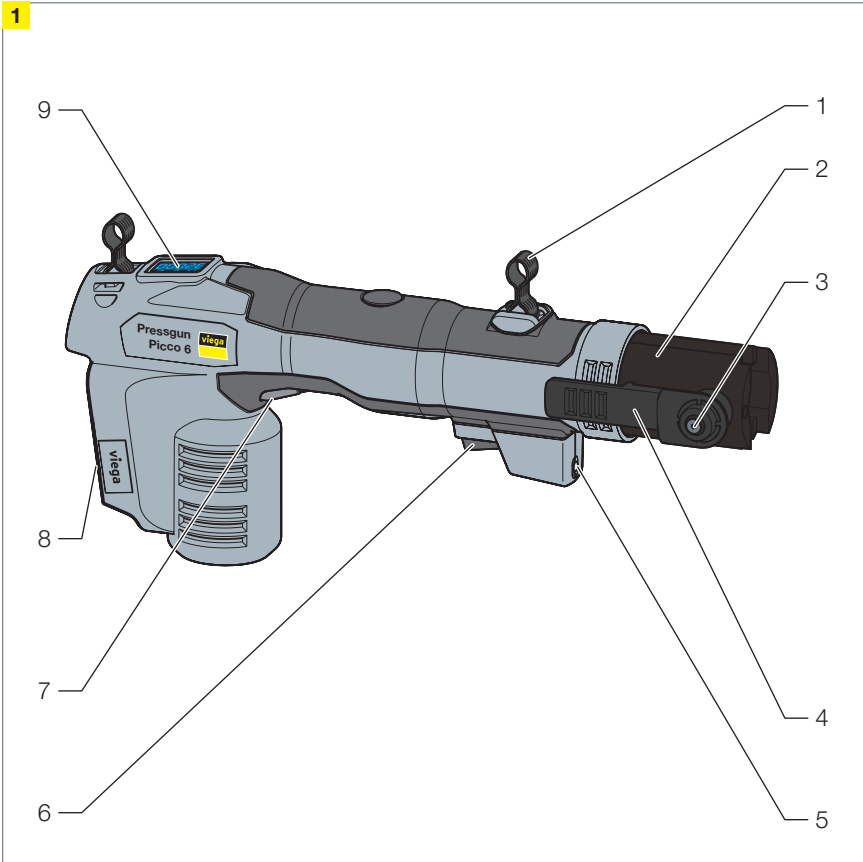
## **2.2 Areas of Use**

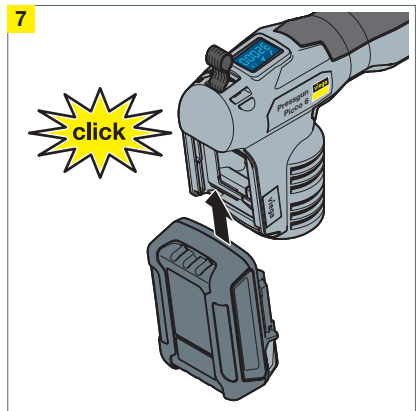
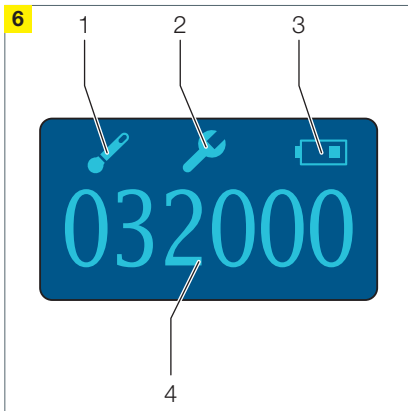
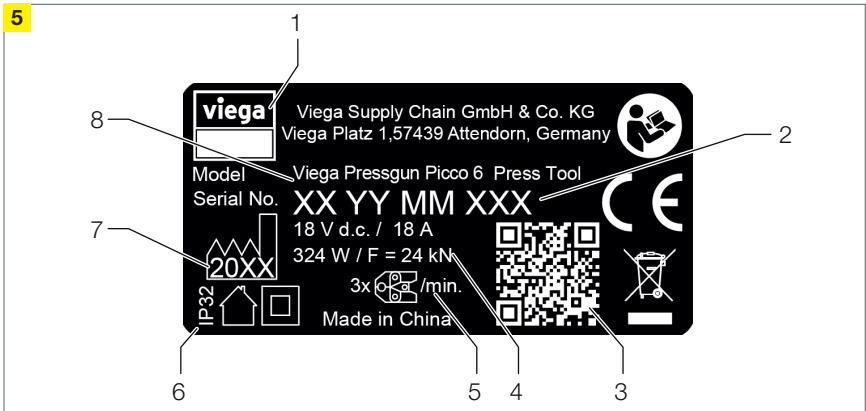
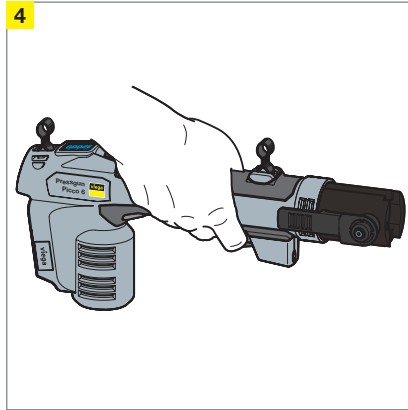
The Viega Pressgun Picco 6 is used for pressing press fittings onto the respective piping systems. In combination with Viega press jaws, the press tool is suitable for use with all Viega plumbing and heating systems including Pureflow up to 1½", ProPress up to 1¼", and MegaPress up to ¾".

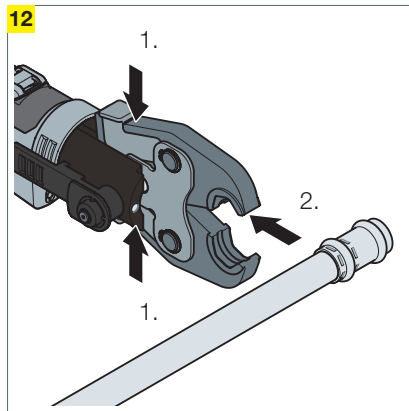
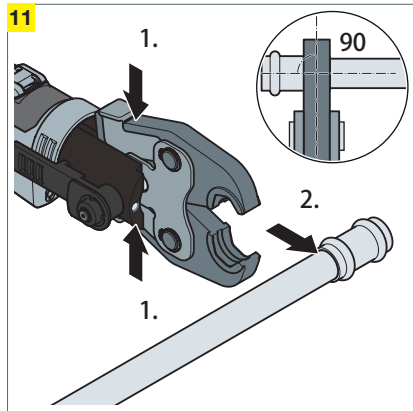
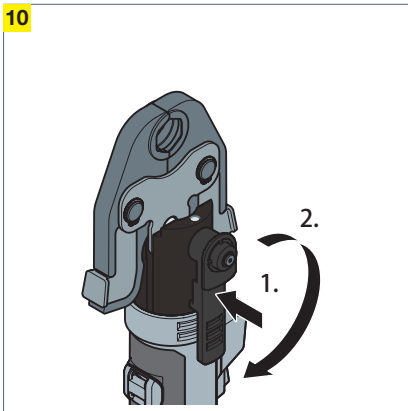
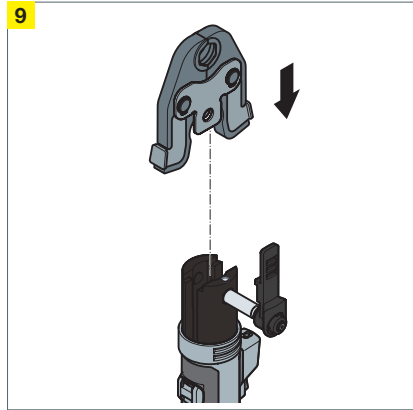
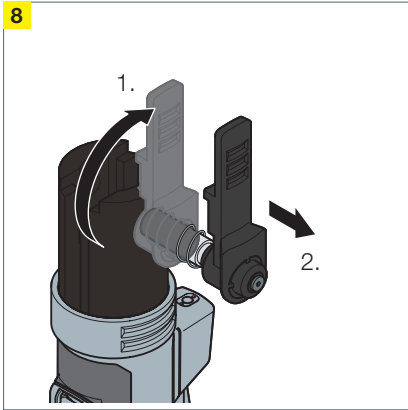


## 2.3 Product Description

US







## 2.3.1 Overview

### Scope of Delivery

- Pressgun Picco 6
- Lithium ion rechargeable battery (18V / 2.5 Ah)
- Battery charger
- Transport case with case inlay (with space saver for an additional battery)
- Instructions for Use

### Pressgun Picco 6

See image **1**.

- 1 Fixing lug for carrying strap
- 2 Rotatable cylinder head with press jaw fixture
- 3 Retaining bolt
- 4 Retaining bolt lever
- 5 Status LED
- 6 Start button
- 7 Reset button
- 8 Battery compartment
- 9 Display

### Lithium Ion Rechargeable Battery

See image **2**.

- 1 Battery release mechanism
- 2 Button for checking the charge level
- 3 Charge level display

### Charger

See image **3**.

- 1 Battery compartment
- 2 Status LED

### Gripping Surfaces on the Press Machine

See image **4**.

- To prevent injury during the press, hold the press machine at the gripping surface provided as shown.

### Data on the Specification Plate

See image **5**.

- 1 Manufacturer's logo with address
- 2 Article number / serial number
- 3 QR code (see specification plate)
- 4 Voltage (V), current (A), nominal output (W), nominal force (kN)
- 5 Maximum three presses per minute ( $\leq 2''$ )
- 6 IP Code
- 7 Year of construction
- 8 Type designation of the press machine

## 2.3.2 Technical Data

Nominal output	324 W
Voltage	18V DC
Current	18A
Machine monitoring	Electronic
Sound power level max.	79.7 db (A) <sup>1)</sup>
Sound pressure on the ear	68.7 db (A) <sup>1)</sup>
Oscillation level	< 2.5 m/s <sup>2</sup> <sup>2)</sup>
Power transmission	Hydraulic
Shearing force at piston	5400 lbf. (24 kN)
Power-on time	Maximum three presses per minute
Permissible operating temperature	14° F to 122° F
Weight without battery	5.5 lbs.

US

<sup>1)</sup> Measurement uncertainty: 3 db (A)

<sup>2)</sup> Measurement uncertainty: 1.5 m/s<sup>2</sup>



Wear hearing protection.

The specified oscillation emission value was measured in accordance with a standardised test procedure and can be used to compare the machine with another device. The specified oscillation emission value can also be used for an initial assessment of the intermittent duty.

When the device is actually being used, the oscillation emission value may differ from specified value, depending on the manner in which the device is used. Depending on the actual conditions of use (intermittent duty), it may be necessary to specify safety measures to protect the user.

## 2.3.3 Operating Mode

The Viega Pressgun Picco 6 is an electro-hydraulically operated press machine. The press machine is switched on by pressing the Start button once. To initiate a press, the Start button must then be pressed and held down. The hydraulically operated roller head moves forwards into the press jaw and closes it with a force of 5400 lbs. (24 kN).

The Pressgun Picco 6 is operated at a voltage of 18V DC.

### Automatic Forced Return

The press machine operates with positive control. This means:

- The Start button must be pressed until a minimum force is reached. From this point in time, the process initiates and completes the pressing until the entire press stroke has been executed. The roller head then returns to its starting position.
- Until such time as the minimum force is reached, the press machine roller head remains in its current position if the start button is released briefly. The pressing can be continued or interrupted, see “3.4 Interrupting the Press” on page 18.

### Automatic Standby Mode

If the press machine is not used for 150 seconds, it will automatically switch to standby mode.

## 2.3.4 Control Elements and Displays on the Press Machine

### Display

See image 6.

- 1 Temperature symbol\*
- 2 Maintenance symbol\*
- 3 Battery display
- 4 Number of press cycles

\* The symbols are displayed if a malfunction occurs, see also “3.6 Troubleshooting” on page 19.

### Status LED

The LED shows the current status of the press machine.

LED display	Explanation
The LED illuminates continuously.	The press machine is switched on.
The LED flashes continuously.	The battery needs charging.
The LED flashes 2x and pauses. The display repeats the sequence.	The press machine is outside the permissible temperature range (14° F to 122° F).
The LED flashes 3x and pauses. The display repeats the sequence.	30,000 pressings are achieved or exceeded. Maintenance is due.
	The press machine is malfunctioning.

### Start Button

Press the Start button once to switch on the press machine. In normal operation, the status LED illuminates green.

### Reset Button

If a malfunction occurs and the press machine fails to complete the pressing cycle, the roller head can be returned to its initial position by pressing the Reset button, see “3.4 Interrupting the Press” on page 18.

US

### Rotatable Cylinder Head

The press jaw fixture in the front part of the cylinder head is rotatable through 270°, and thereby allows flexible alignment of the press jaws to the pressing point.

## 3 Handling

### 3.1 Transport and Storage



#### **DANGER!**

#### **Risk of crushing!**

Danger of your fingers and hands being crushed.

- Store the press machine out of the reach of children and unauthorized persons.



#### **Damage and malfunctions to the press machine caused by improper handling.**

Use a transport case for storage and transport.

Observe the following instructions for transport and storage of the press machine:

- Disconnect the press machine from its power supply (battery).
- Store the press machine dry and frost-free in the case supplied.

Protect the press machine and its accessories from the following external influences:

- Shocks
- Humidity and moisture
- Dust and dirt
- Frost and extreme heat
- Chemical solutions and vapours

### 3.2 Commissioning



#### **CAUTION!**

#### **Risk of crushing from operating the press machine without press jaw.**

If no press jaw is inserted, your fingers can become crushed in the danger zone of the press machine.

- Never use the press machine without the press jaw inserted.
- Do not place your fingers in the danger zone.



#### **CAUTION!**

#### **Damage to device due to incomplete locking of the retaining bolt.**

If the retaining bolt is not fully inserted and locked, the cylinder may tear during the pressing.

- Make sure the retaining bolt is closed before initiating a pressing.

- ▶ Check the scope of delivery.
- ▶ See image 7. Insert the fully charged lithium ion rechargeable battery into the mounting bracket on the handle.



Press the battery level check button to check the battery charge level. The display disappears as soon as the button is released again.

- ▶ See image 8. Turn the retaining bolt lever of the retaining bolt by 180° to release it from the lock position.
- ▶ Pull out the retaining bolt.
- ▶ See image 9. Insert the press jaw into the press jaw fixture of the cylinder head. Push the retaining bolt back to secure the jaw once it is inserted.



The figures show the typical use of a press jaw. Use the hinged actuator jaws in the same way.



### 3.3 Carrying out the Press



#### CAUTION!

#### Risk of crushing due to improper operation.

- Never start the press machine without the press jaw inserted.  
Do not place your fingers in the danger zone.
- During the pressing, do not reach into the range of the advancing and retracting roller head or press jaw.

US



#### Property damage caused by damaged press jaws.

Using a damaged, incorrectly dimensioned, or worn press jaw may result in an incorrect pressing.

- Before using the press jaw, check it for visible defects and replace if necessary.
- Use only suitably dimensioned press jaws that are compatible with the press connector system.



The press jaw must be able to lock properly during the pressing.

- Make sure there is adequate space at the pressing point.
- Keep the press jaw contour and the area around the pressing point free of dirt and objects that could prevent a complete pressing.

Requirements:

- The press machine is ready for operation; the green LED illuminates.
- A press jaw is correctly inserted.
- See image 10. Check whether the nominal width of the press connector matches the nominal width of the press jaw.
- Fit the press machine with the press jaw in the correct position and square to the pipe axis on the press connector.
- See image 11. Keep the Start button pressed until the automatic process starts.
  - As soon as the press machine builds up pressing force, it initiates and completes the pressing until the entire press stroke has been executed.
- See image 12. The pressing is complete once the roller head has fully retracted. Open the press jaw and release it from the press connector.



If a malfunction occurs and the press machine fails to complete the pressing cycle:

- Press the Reset button to return the roller head to its initial position.
- Then remove the incompletely pressed press connector from the installation and use a new press connector.

### 3.4 Interrupting the Press

A press can be interrupted in the following situations:

- If the roller head has not yet touched the press jaw and the press machine has still not built up any pressing force.
- If a malfunction occurs and the press machine fails to complete the pressing cycle.

To interrupt the Pressing:

- ▶ Release the Start button to interrupt the pressing.
- ▶ Press the Reset button to return the roller head to its initial position.

### 3.5 Battery and Charger

The battery charger is suitable only for use with compatible 18V lithium ion rechargeable batteries. The battery charger can be operated with either 100–240V AC (household power connection) or 12V DC (e.g., in a car).

#### Storage

Store the battery outside of the press machine or the charger. If stored for prolonged periods in either the fully discharged or charged state or at temperatures > 140° F, the battery output can be permanently reduced.



#### Transporting and storing the battery.

Observe the manufacturer's instructions for transport and storage.

#### Charging the Battery



New batteries reach their full output after approximately ten charging and discharging processes. It is not necessary to fully discharge batteries before charging.



Never use both connection cables for the power connection at the same time.

Requirements:

- The charger is correctly connected to the mains power supply.
  - The charger is in standby mode. The yellow LED is flashing.
- The charger has adequate ventilation.
- The charger is located at least 4" away from walls and other objects.
- The ambient temperature is not outside the specified limits of 0° F to 113° F.

- Attach the battery to the charger with dry hands.
  - The charger automatically starts the charging process. The battery warms up slightly while charging. This is normal and does not indicate a problem.
- As soon as the green LED illuminates continuously, push in the two release buttons on the side of the battery and remove it.
- The battery is fully charged.
- Pull the cable of the charger out of the socket.

US



When the battery is fully charged, the charger automatically switches to trickle charge. There is no danger of the battery becoming overcharged.

### 3.6 Troubleshooting

In case of malfunction, check the following potential causes:

Malfunction	Cause	Remedy
The press machine is not ready for operation after the Start button is pressed.	The battery is fully discharged or faulty.	Use a fully charged battery.
	The battery is not correctly inserted.	Check it is correctly located in the mounting bracket.
The press machine switches off during a pressing and the LED flashes.	The battery is almost flat.	Use a fully charged battery.
The LED flashes 2x and pauses, display repeats the sequence.  The temperature symbol in the display illuminates.  The press machine does not carry out a pressing.	The press machine is outside the permissible temperature range.	Set the press machine and battery, located in well-ventilated surroundings, to the recommended temperature range.
The LED flashes 3x and pauses, display repeats the sequence.  The maintenance symbol in the display illuminates.  The press machine is functioning.	30,000 presses are achieved or exceeded.	Maintenance is due. The safety shutdown occurs after a further 2,000 presses. **

Malfunction	Cause	Remedy
<p>The LED flashes 3x and pauses, display repeats the sequence.</p> <p>The maintenance symbol in the display illuminates.</p> <p>The press machine does not carry out a pressing.</p>	<p>32,000 presses have been achieved.</p>	<p>The safety shutdown is performed by the electronic monitoring function.</p> <p>**</p>
<p>The press connector is incorrectly pressed.</p>	<p>The press jaw dimension does not match the press connector.</p>	<p>Use a press jaw that matches the press connection dimension.</p>
	<p>The press jaw was not positioned square to the pipe axis on the press connector.</p>	<p>Repeat the pressing.</p> <p>*</p> <p>Make sure the press jaw is positioned square.</p>
	<p>The press contour is incorrect.</p>	<p>Check the press jaw and have repaired as required.</p> <p>*</p>
	<p>The press machine is malfunctioning.</p>	<p>**</p>
<p>The press jaw cannot be opened after a pressing.</p>	<p>The press was unable to be completed.</p>	<p>Actuate the Reset button and take the press jaw from the press connector. Check the press jaw and have repaired as required.</p> <p>*</p>
<p>Oil escapes from the press machine.</p>	<p>A seal in the casing is faulty or there is a mechanical problem.</p>	<p>**</p>
<p>The motor runs, but the press machine does not complete the pressing.</p>	<p>The oil level is too low.</p>	

\* Remove the incorrectly or incompletely pressed press connector from the installation. Repeat the press with a new press connector.

\*\* Send the press machine to your nearest service partner for inspection and maintenance.

## 3.7 Care and Maintenance

The tools are subject to normal wear and tear; for this reason, they must be maintained in regular intervals. The maintenance/servicing of the tools must be carried out by service partners authorised by Viega.

### 3.7.1 Cleaning the Press Tools

US



#### Damage caused by fluids

Make sure fluids never get inside the press machine. Never immerse the press machine into fluids.

#### Press Machine

Requirements:

- The press machine is de-energised (battery removed).
- No press jaw is inserted.
- Wipe the press machine down with a slightly damp cloth.
- Dry-clean the press rolls of the roller head and then treat with maintenance oil.

#### Press Jaws and Press Rings

- Remove dirt and metallic residues from the press jaw or the press ring.
- Remove any deposits from the press contour.
- Treat the joints and moving components with maintenance oil.
- Then thinly coat the press jaw or press ring with maintenance oil. Allow to soak in briefly, then wipe the part down with a lint-free cloth.

#### Performing Checks

To ensure trouble-free operation, perform checks at regular intervals:

- At the end of each use, check the press contour of the press jaws and press rings for damage or visible wear.
- Check the press jaws and press rings for smooth operation.
- Check all press jaws and press rings for proper function by carrying out a test pressing with press connector inserted.

In case of malfunctions, contact an authorised service partner.

### 3.7.2 Inspection and Maintenance

The functional safety and permanent leak tightness of the Viega press connector systems depend primarily on the functional and operational safety of the Viega system press tools, which comprise the Viega press machine plus Viega system press jaw, ring, chain, and hinged adapter jaw.

The Viega press tools were developed and adapted specifically for use with the Viega press connector systems. Viega does not check whether these system press tools can be used for pressing other manufacturers' systems. In particular, no statement can be made in this case on whether it is possible to create permanently leak-proof connections.



Do not attempt to carry out repairs yourself. Have repairs carried out only by authorized service partners.

#### Maintenance Interval

The maintenance interval is 30,000 pressings or 4 years, whichever occurs first. The due maintenance is displayed as follows:

- The maintenance symbol in the LED display illuminates continuously.
- The status LED flashes, see “2.3.4 Control Elements and Displays on the Press Machine” on page 14.



The safety shutdown occurs after 32,000 pressings. Send the press machine to your nearest service partner for inspection and maintenance.

### 3.8 Service Partners

For maintenance and repair of the press tools, contact your Viega service partner in your area.

### 3.9 Disposal

Do not dispose of the press machine in household waste and do not scrap it. For environmentally compatible disposal, send the press machine to your local service partner or pass it to a recycling company.

Parts of the lithium ion rechargeable batteries contain valuable materials and can be recycled. For disposal, comply with the regulations applicable in your area. For more information, contact your local waste management authority.

**US**

When shipping faulty lithium-ion batteries, observe the requirements for road or rail transport and for sea and air freight.

### 3.10 Warranty

The warranty period complies with the national statutory provisions. However, the minimum period is two years from the time of purchase and transfer of risk of the press machine.

Please retain the purchase receipt in case of a repair during the warranty period. If the defect can be traced back to improper use of the press machine or normal wear and tear of wearing parts, claims cannot be made under the warranty.







**> Viega LLC**  
585 Interlocken Blvd.  
Broomfield, CO 80021

Phone (800) 976-9819  
[www.viega.us](http://www.viega.us)

