

Viega Valves

Automatic Recirculation Regulating Valve



viega.us

Flexibility for all your recirculation valve needs

Viega's automatic recirculation regulating valve is an all-in-one solution and can be installed on either the riser or branch. It can be set upon installation to the temperature specified, assuring the installer that no callbacks to rebalance the system will be necessary. The valve offers a bypass for thermal disinfection so that normal maintenance can still be carried out with no restrictions. It is also suitable for drinking water applications with hot water recirculation.

Advantages at a glance:

- Automatic, thermostatic balancing
- Zero Lead body
- Integrated isolation ball valve
- Max operating temperature: 180°F
- Adjustable temperature setpoint
 - Range 105°F to 150°F
- Adjustable bypass
- Cold water pressure: 150 psi
- Multiple accessories available
- Can utilize ProPress® or PureFlow® tailpieces

viega

Connected in quality.

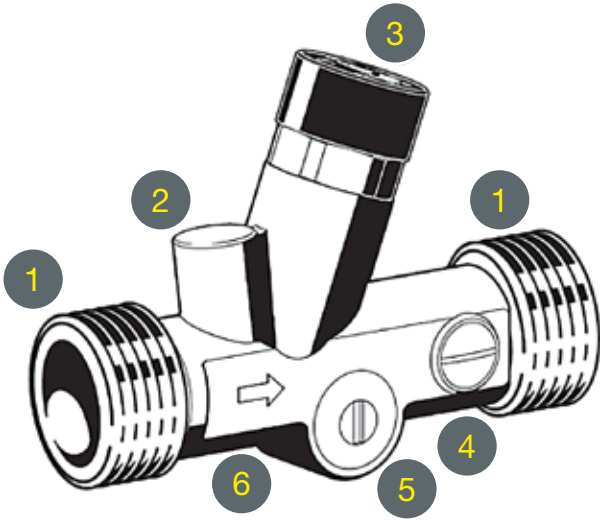
Applications:

- Individual floor regulation
- Riser regulation
- Thermal disinfection
- Can be used with chlorine shock disinfection by AWWA C651.*


*See the installation manual for more detail and installation configurations.

Approvals

NSF-61-372
Listed by NSF to Commercial Hot



Products



Viega ProPress automatic recirculation balancing valve Zero Lead

- For automatic balancing of hot water recirculation
- Suitable for Viega PureFlow Press tailpiece Model 2893ZL, Viega ProPress tailpiece Model 2957ZL
- Bronze
- Male BSP

Components

- Stainless steel ball

Technical Data

- OP 150 psi
- operating temperature 180 °F


Note

- Integrated isolation
- adjustable setpoint
- adjustable bypass

Model 2981.3ZL

BSP Thread	Wt (lb)	Quantity	Part No	DG
1 x 1	1.221	1	79901	8

Accessories



Viega ProPress bimetallic thermometer


Note

- Only for use with Viega ProPress drain valve and temperature port

Model 2876.8US

Wt (lb)	Quantity	Part No	DG
	1	23460 ¹	8

¹ Available soon!



Viega ProPress temperature sensor 2-wire

- Use with Viega ProPress drain valve and temperature port Model 2934.8ZL


Note

- Only for use with Viega ProPress drain valve and temperature port

Model 2913.9

Wt (lb)	Quantity	Part No	DG
0.203	1	23470 ¹	8

¹ Available soon!




Viega ProPress valve insulation shell

- Use with Viega ProPress automatic recirculation balancing valve Model 2981.3ZL
- Expanded polypropylene

Model 2910.50

Wt (lb)	Quantity	Part No	DG
0.047	1	23450 ¹	8

¹ Available soon!



Viega ProPress drain valve and temperature port Zero Lead

- Suitable for Viega ProPress bimetallic thermometer Part No 23460, Viega ProPress temperature sensor 2-wire Part No 23470
- Use with Viega ProPress automatic recirculation balancing valve Model 2981.3ZL
- Bronze

Model 2934.8ZL

BSP Thread	Wt (lb)	Quantity	Part No	DG
1/4	0.168	1	79902 ¹	8

¹ Available soon!

COMPONENTS

1. 1" male BSP connections
2. Threaded temperature port (comes plugged)
3. Temperature setpoint adjustment
4. Integrated isolation ball valve
5. Adjustable bypass
6. Flow direction arrow

Viega LLC
585 Interlocken Blvd.
Broomfield, CO 80021
USA

Phone (800) 976-9819
viega.us

01001_EN_0519