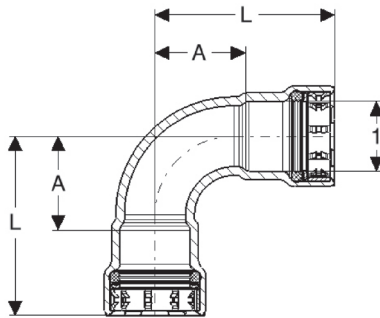


Dimensional Documentation

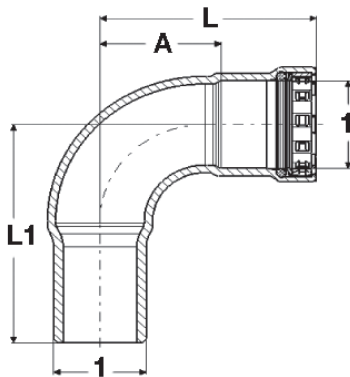
viega

Viega MegaPress® CuNi Fittings

MegaPress 90° Elbow, Copper Nickel, P x P - Model 0516

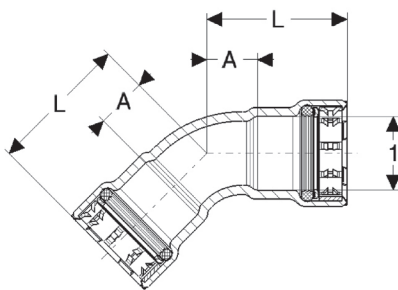


Part No.	Size	A (in)	L (in)
	1		
88000	1/2"	1.17	2.24
88005	3/4"	1.36	2.52
88010	1"	1.72	3.07
88015	1 1/4"	2.02	3.84
88020	1 1/2"	2.26	4.13
88025	2"	2.80	4.76



MegaPress 90° Elbow, Copper Nickel, FTG x P - Model 0516.1

Part No.	Size	A (in)	L (in)	L1 (in)
	1			
88045	1/2"	1.17	2.24	2.56
88050	3/4"	1.36	2.52	2.80
88055	1"	1.72	3.07	3.39
88060	1 1/4"	2.02	3.84	4.03
88065	1 1/2"	2.26	4.13	4.21
88070	2"	2.80	4.76	5.08



MegaPress 45° Elbow, Copper Nickel, P x P - Model 0526

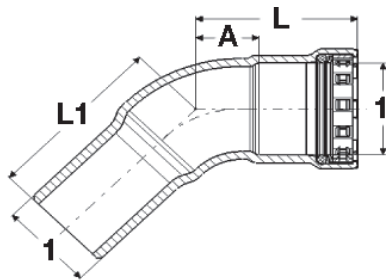
Part No.	Size	A (in)	L (in)
	1		
88090	1/2"	0.60	1.67
88095	3/4"	0.71	1.87
88100	1"	0.86	2.20
88105	1 1/4"	1.00	2.81
88110	1 1/2"	1.12	2.99
88115	2"	1.32	3.29

Dimensional Documentation

viega

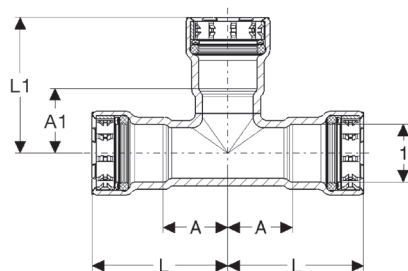


MegaPress 45° Elbow, Copper Nickel, FTG x P - Model 0526.1



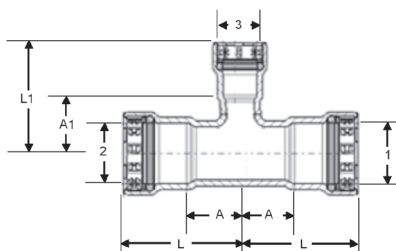
Part No.	Size	A (in)	L (in)	L1 (in)
	1			
88135	1/2"	0.60	1.67	1.97
88140	3/4"	0.71	1.87	2.13
88145	1"	0.86	2.20	2.52
88150	1 1/4"	1.00	2.81	3.00
88155	1 1/2"	1.12	2.99	3.07
88160	2"	1.32	3.29	3.58

MegaPress Tee, Copper Nickel, P x P x P - Model 0518



Part No.	Size	A (in)	A1 (in)	L (in)	L1 (in)
	1				
88180	1/2"	0.97	0.97	2.04	2.04
88185	3/4"	1.11	1.11	2.26	2.26
88190	1"	1.23	1.23	2.57	2.57
88195	1 1/4"	1.41	1.38	3.23	3.20
88200	1 1/2"	1.57	1.57	3.44	3.44
88205	2"	1.81	1.81	3.78	3.78

MegaPress Reducing Tee, Copper Nickel, P x P x P - Model 0518



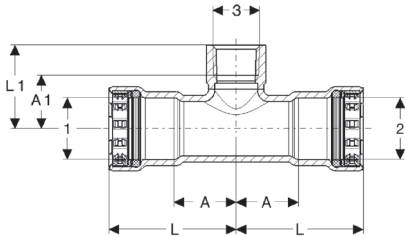
Part No.	Size	A (in)	A1 (in)	L (in)	L1 (in)
	1 2 3				
88225	1" x 1" x 1/2"	1.23	1.19	2.57	2.26
88230	1" x 1" x 3/4"	1.23	1.26	2.57	2.41
88235	2" x 2" x 1/2"	1.81	1.74	3.78	2.81
88240	2" x 2" x 3/4"	1.81	1.80	3.78	2.95
88245	2" x 2" x 1"	1.81	1.81	3.78	3.16

Dimensional Documentation

viega

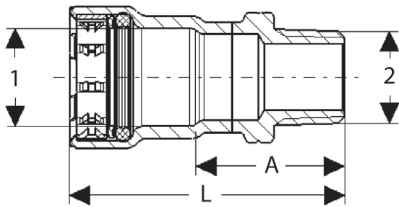


MegaPress Reducing Tee, Copper Nickel, P x P x FPT - Model 0517.2



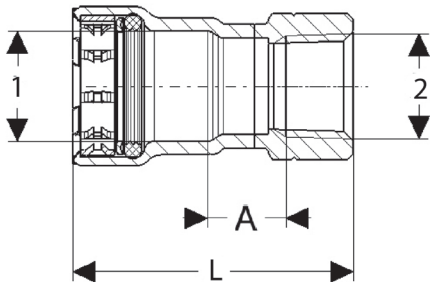
Part No.	Size			A (in)	A1 (in)	L (in)	L1 (in)
	1	2	3				
88275	1/2"	1/2"	1/2"	0.97	0.91	2.04	1.45
88280	1"	1"	1/2"	1.23	1.19	2.57	1.73
88285	1"	1"	3/4"	1.23	1.18	2.57	1.73
88290	2"	2"	1/2"	1.81	1.70	3.78	2.24
88295	2"	2"	3/4"	1.81	1.72	3.78	2.28

MegaPress Adapter, Copper Nickel, P x MPT - Model 0511



Part No.	Size		A (in)	L (in)
	1	2		
88320	1/2"	1/2"	1.46	2.53
88325	3/4"	3/4"	1.52	2.67
88330	1"	1"	1.66	3.00
88335	1 1/4"	1 1/4"	1.89	3.70
88340	1 1/2"	1 1/2"	1.93	3.80
88345	2"	2"	1.94	3.91

MegaPress Adapter, Copper Nickel, P x FPT - Models 4112 / 5112



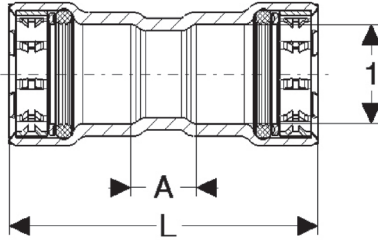
Part No.	Size		A (in)	L (in)
	1	2		
304				
88350	1/2"	1/2"	0.70	2.31
88355	3/4"	3/4"	0.74	2.45
88360	1"	1"	0.74	2.75
88365	1 1/4"	1 1/4"	0.77	3.27
88370	1 1/2"	1 1/2"	0.73	3.28
88375	2"	2"	0.76	3.42

Dimensional Documentation

viega

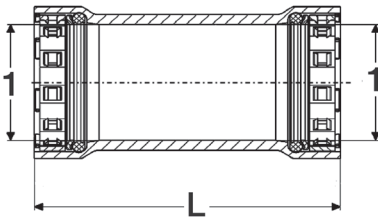


MegaPress Coupling with Stop, Copper Nickel, P x P - Model 0515



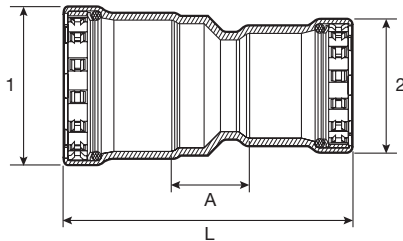
Part No.	Size	A (in)	L (in)
304	1		
88380	1/2"	0.56	2.70
88385	3/4"	0.63	2.94
88390	1"	0.57	3.26
88395	1 1/4"	0.70	4.34
88400	1 1/2"	0.89	4.63
88405	2"	0.77	4.71

MegaPress Coupling No Stop, Copper Nickel, P x P - Model 0515.5



Part No.	Size	L (in)
	1	
88425	1/2"	2.70
88430	3/4"	2.94
88435	1"	3.29
88440	1 1/4"	4.45
88445	1 1/2"	4.63
88450	2"	4.71

MegaPress Reducer, Copper Nickel, P x P - Model 0515.2



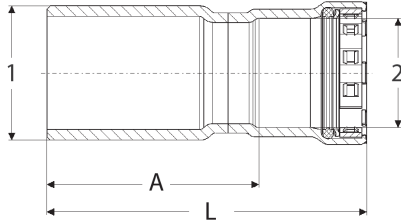
Part No.	Size	A (in)	L (in)
	1 x 2		
88470	3/4" x 1/2"	1.20	3.43
88475	1" x 1/2"	1.37	3.79
88480	1" x 3/4"	1.22	3.72
88485	1 1/4" x 3/4"	1.35	4.32
88490	1 1/4" x 1"	1.23	4.39
88495	1 1/2" x 1"	1.35	4.57
88500	1 1/2" x 1 1/4"	1.23	4.92
88505	2" x 1 1/4"	1.47	5.26
88510	2" x 1 1/2"	1.40	5.24

Dimensional Documentation

viega

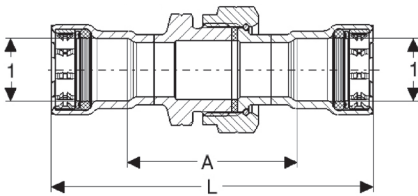


MegaPress Reducer, Copper Nickel, FTG x P - Model 0515.1



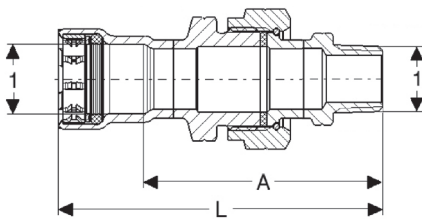
Part No.	Size	A (in)	L (in)
304	1 2		
88545	¾" x ½"	1.92	2.99
88550	1" x ½"	2.25	3.32
88555	1" x ¾"	2.18	3.34
88560	1¼" x ¾"	2.37	3.52
88565	1¼" x 1"	2.81	4.15
88570	1½" x 1"	2.81	4.15
88575	1½" x 1¼"	2.83	4.65
88580	2" x 1¼"	3.18	5.00
88585	2" x 1½"	2.97	4.84

MegaPress Union, Copper Nickel, P x P - Model 0560



Part No.	Size	A (in)	L (in)
	1		
88620	½"	2.39	4.53
88625	¾"	2.69	5.00
88630	1"	2.65	5.34
88635	1¼"	2.84	6.48
88640	1½"	2.89	6.63
88645	2"	3.66	7.60

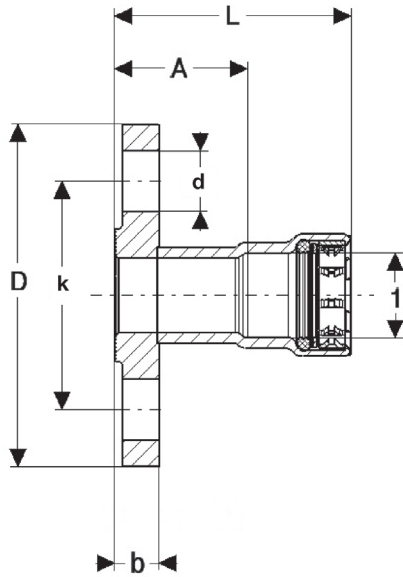
MegaPress Union, Copper Nickel, P x MPT - Model 0565



Part No.	Size	A (in)	L (in)
	1		
88650	½"	2.44	3.52
88655	¾"	2.72	3.88
88660	1"	2.86	4.20
88665	1¼"	3.04	4.85
88670	1½"	3.10	4.97
88675	2"	3.94	5.91

Dimensional Documentation

viega



MegaPress Flange, Copper Nickel, P x BP - Model 0559.5

Part No.	Size	A (in)	L (in)	b (in)	k (in)	D (in)	d (in)
	1						
88680	1"	1.39	2.74	0.63	3.11	4.33	0.61
88685	1¼"	1.41	3.23	0.63	3.50	4.53	0.63
88690	1½"	1.50	3.37	0.71	3.86	4.92	0.63
88695	2"	1.56	3.52	0.79	4.76	5.91	0.75

Viega products are designed to be installed by licensed and trained plumbing and mechanical professionals who are familiar with Viega products and their installation. **Installation by non-professionals may void Viega LLC's warranty.**

This document is subject to updates. For the most current Viega technical literature please visit www.viega.us.

Viega LLC • 585 Interlocken Blvd. • Broomfield, CO 80021 • Phone (800) 976-9819 • www.viega.us