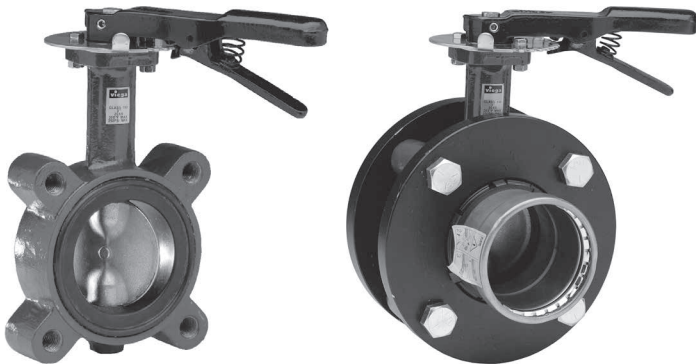


## Tech Data

# Viega Butterfly Valve Model 2873.81



### Description

- Ductile iron body
- Lug body is polyurethane coated
- Anti-blowout stainless steel shaft
- Downstream dismantling allowed
- EPDM liner
- Sizes 2½" and 3" - 4 bolt pattern flanges
- Size 4" - 8 bolt pattern flanges
- Class 150

### Features

- Spheroidal graphite cast iron body
- Lug body is polyurethane coated
- 316 stainless steel disc
- Anti-blowout stainless steel shaft
- Downstream dismantling allowed
- Bi-directional, can be mounted in all positions
- ISO 5211 flange type F05 flat head
- Conforms to MSS-SP67 and MSS-SP25



This document is subject to updates. For the most current Viega technical literature please visit [www.viega.us](http://www.viega.us).



Viega products are designed to be installed by licensed and trained plumbing and mechanical professionals who are familiar with Viega products and their installation. **Installation by non-professionals may void Viega LLC's warranty.**

### Ratings

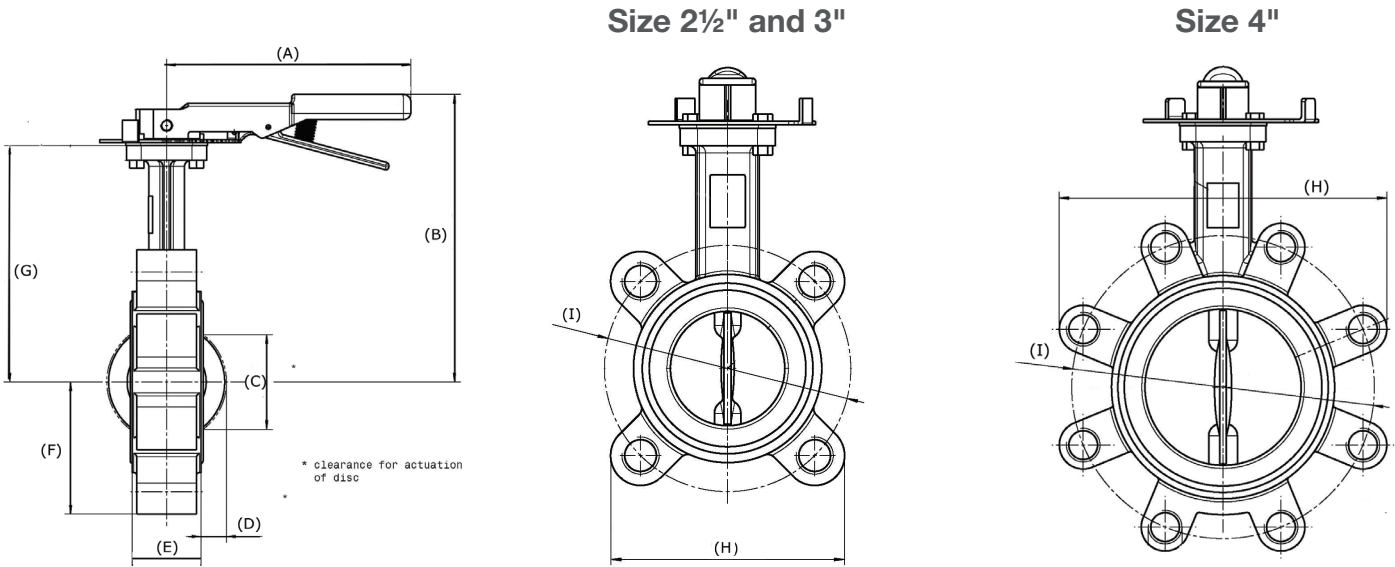
- Temperature Range: 0° – 250°F
- Max. Operating Pressure: 200 PSI

### Standard Variants

- Pneumatic Actuator: Actair / Dynactair
- Electric Actuator: Various Manufacturers
- Limit Switches: Monitor
- Positioner: Siemens

Size (in)	Weight	
	lbs.	
2½	7.78	
3	8.46	
4	12.79	

*The indicated weights are those of the unit valve plus handle.*



Butterfly Valve Dimensions										
Part No.	Size (in)	A (in)	B (in)	C (in)	D (in)	E (in)	F (in)	G (in)	H (in)	I (in)
22074	2½	6.50	7.40	2.17	0.43	1.81	2.64	5.35	5.20	5.51
22075	3	6.50	7.64	2.80	0.67	1.81	2.82	5.59	7.01	5.98
22076	4	9.06	8.47	3.54	0.91	2.05	3.62	6.42	8.27	7.48

Operating Torque Data	
Size (in)	ft./lbs.
2½	22.12
3	29.50
4	44.25

Lubricated

The safety coefficient to define the adapted actuator is included in the torque value.

Bolt and Washer Grade 5 Zinc-Plated Blue Chromated	
Part No.	Size (in)
19768	5/8" x 1½
19773	5/8" x 1 5/8
19778	5/8" x 1¾

ASME B18.2.1 -- 1996

Hydraulic Characteristics	
Size (in)	Cvo
2½	280
3	475
4	760

Bolt Tightening	
Part No.	Recommended Max. Bolt Torque (ft/lbs)
19768	75
19773	
19778	

**V** Viega LLC  
585 Interlocken Blvd.  
Broomfield, CO 80021

Phone (800) 976-9819  
www.viega.us

