

ProPress® Bronze Gas Ball Valve Model 0670

Description

- Two Piece Body
- Full Port
- HNBR Sealing Element
- HNBR Stem Seals
- Lockable Metal Handle
- ProPress® Ends

Features

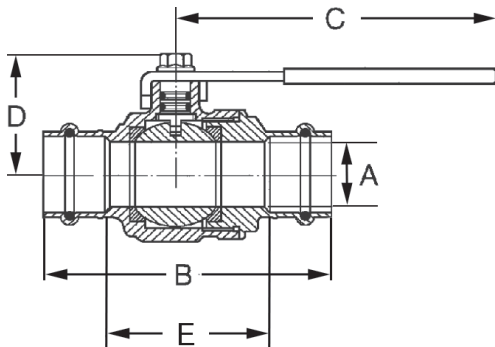
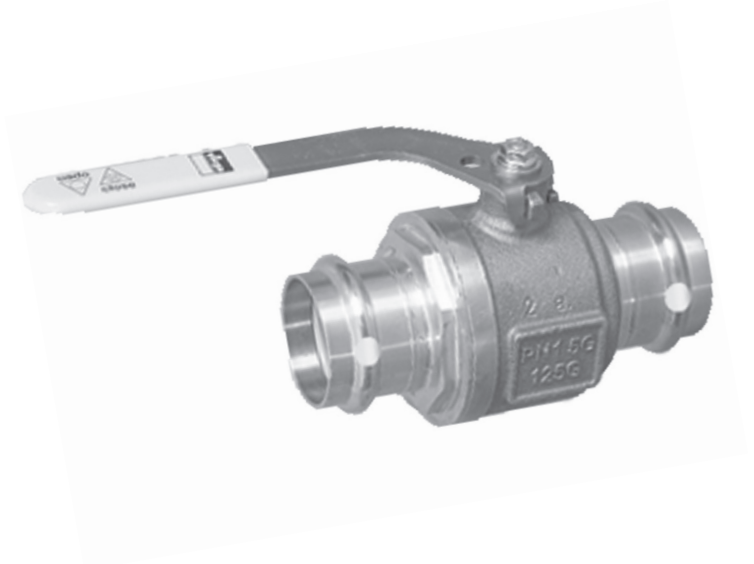
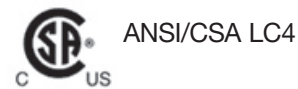
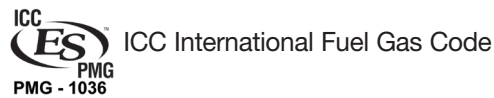
- Chrome Plated Brass Ball
- Blowout-Proof Stem
- Reinforced PTFE Seats
- Smart Connect® technology

Ratings

- Max. Operating Pressure: 125 psi
- Temperature Range: -40°F to 180°F

Approvals

- NFPA 54



Part No	Size	A (in)	B (in)	C (in)	D (in)	E (in)	Wt (lbs)
19648	1/2"	0.65	3.35	4.76	1.34	1.85	0.75
19653	3/4"	0.79	3.82	4.76	1.42	2.01	1.07
19658	1"	0.98	4.29	4.76	1.56	2.48	1.48
19663	1 1/4"	1.02	4.49	6.10	1.91	2.44	2.20
19668	1 1/2"	1.42	5.53	6.10	2.20	2.70	4.03
19673	2"	1.73	6.46	6.10	2.45	3.31	5.96

Viega products are designed to be installed by licensed and trained plumbing and mechanical professionals who are familiar with Viega products and their installation. **Installation by non-professionals may void Viega LLC's warranty.**

This document is subject to updates. For the most current Viega technical literature please visit www.viega.us.

Viega LLC • 585 Interlocken Blvd. • Broomfield, CO 80021 • Phone (800) 976-9819 • www.viega.us