

Insulation Kits for Insulated Piping

Description

Insulation kits are intended to be used with the Viega Insulated Piping System. Insulation kits are ideally suited for below ground insulation of heating or cooling pipes within the service temperature. When properly sized and installed, insulation kits will match the thermal properties of the insulated pipe.

Features

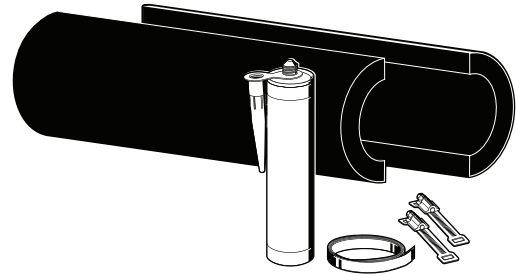
- Insulation kits contain:
 - Two insulation shell halves
 - Screw clamps to secure shell halves together
 - Caulking tube and nozzle to waterproof in the field
- No special tools required
- Equivalent insulation value as adjacent piping

Specifications

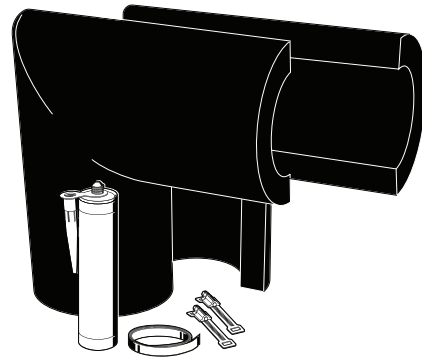
- Maximum service temperature: 203° F (95° C)
- Material, insulation: Polyurethane or polyisocyanurate foam
- Material, coating: Two component high density polyurethane
- Material, caulking: 100% silicone
- Density: (ASTM D 1622) 27 to 32 kg/m³ (1.7 to 2 lbs/ft³).
- Compressive Strength: (ASTM D 1621) 131 to 158 kPa (19 to 23 lbs/in²)
- Closed Cell Content: 90% minimum.
- Water Absorption: 4% by volume
- K factor: (ASTM C 518) 0,027 W/m°C (0.19 Btu. In/ft².hr.0F)
- Thickness: shall match pipe insulation

Schematic

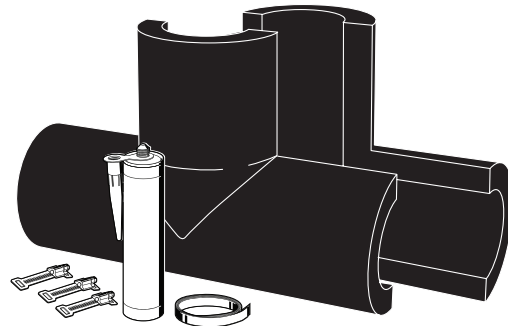
Insulation kit for couplings



Insulation kit for elbows



Insulation kit for tees



Viega products are designed to be installed by licensed and trained plumbing and mechanical professionals who are familiar with Viega products and their installation. **Installation by non-professionals may void Viega LLC's warranty.**

This document is subject to updates. For the most current Viega technical literature please visit www.viega.us.

Viega LLC • 585 Interlocken Blvd. • Broomfield, CO 80021 • Phone (800) 976-9819 • www.viega.us