

Dimensional Document

Viega MegaPress® Stainless

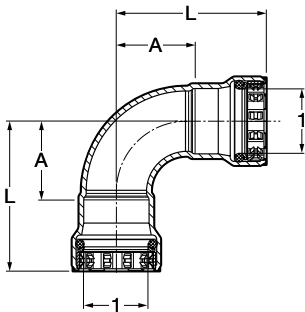


This document is subject to updates. For the most current Viega technical literature, please visit www.viega.us.



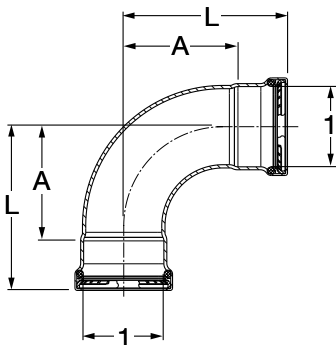
Viega products are designed to be installed by licensed and trained plumbing and mechanical professionals who are familiar with Viega products and their installation. **Installation by non-professionals may void Viega LLC's warranty.**

MegaPress Stainless 90° Elbow, P x P – Models 4116 / 5116 / 6816

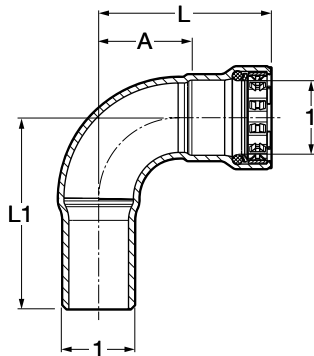


304 FKM	Part No. 316 EPDM	316 FKM	Size (in) 1	A (in)		L (in)	
				Dec	Frac	Dec	Frac
95005	90005	91695	1/2	1.13	1 1/8	2.24	2 1/4
95010	90010	91700	3/4	1.32	1 5/16	2.52	2 1/2
95015	90015	91705	1	1.69	1 11/16	3.07	3 1/16
95785	90835	91710	1 1/4	1.96	1 15/16	3.82	3 13/16
95020	90020	91715	1 1/2	2.22	2 1/4	4.13	4 1/8
95025	90025	91720	2	2.76	2 3/4	4.76	4 3/4

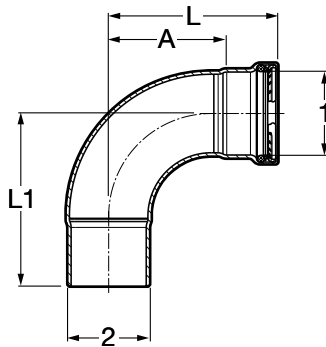
MegaPress Stainless 90° Elbow, P x P – Models 4116XL / 5116XL / 6816XL



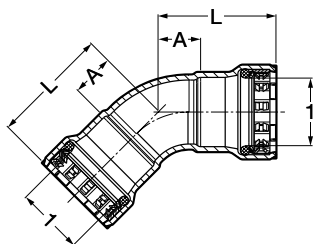
304 FKM	Part No. 316 EPDM	316 FKM	Size (in) 1	A (in)		L (in)	
				Dec	Frac	Dec	Frac
95500	90500	98405	2 1/2	4.15	4 1/8	5.94	5 15/16
95505	90505	98410	3	4.76	4 3/4	7.09	7 1/16
95510	90510	98415	4	6.00	6	9.17	9 3/16

MegaPress Stainless 90° Elbow, FTG x P – Models 4116.1 / 5116.1 / 6816.1


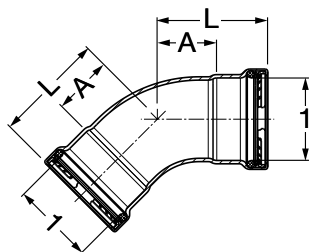
Part No.			Size (in)	A (in)		L (in)		L1 (in)	
304 FKM	316 EPDM	316 FKM	1	Dec	Frac	Dec	Frac	Dec	Frac
95030	90030	91725	1/2	1.13	1 1/8	2.24	2 1/4	2.56	2 9/16
95035	90035	91730	3/4	1.32	1 5/16	2.52	2 1/2	2.80	2 13/16
95040	90040	91735	1	1.69	1 11/16	3.07	3 1/16	3.39	3 3/8
95845	90895	91740	1 1/4	1.96	1 15/16	3.82	3 13/16	4.04	4 1/16
95045	90045	91745	1 1/2	2.22	2 1/4	4.13	4 1/8	4.21	4 3/16
95050	90050	91750	2	2.76	2 3/4	4.76	4 3/4	5.08	5 1/16

MegaPress Stainless 90° Street Elbow, P x FTG – Models 4116.1XL / 5116.1XL / 6816.1XL


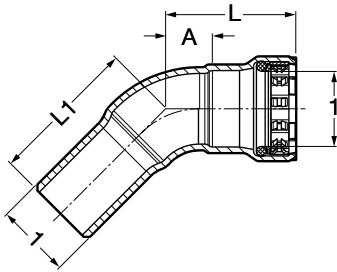
Part No.			Size (in)	A (in)		L (in)		L1 (in)	
304 FKM	316 EPDM	316 FKM	1 2	Dec	Frac	Dec	Frac	Dec	Frac
95515	90515	98390	2 1/2 x 2 1/2	4.15	4 1/8	5.94	5 15/16	6.06	6 1/16
95520	90520	98395	3 x 3	4.76	4 3/4	7.09	7 1/16	6.81	6 13/16
95525	90525	98400	4 x 4	6.00	6	9.17	9 3/16	8.78	8 3/4

MegaPress Stainless 45° Elbow, P x P – Models 4126 / 5126 / 6826


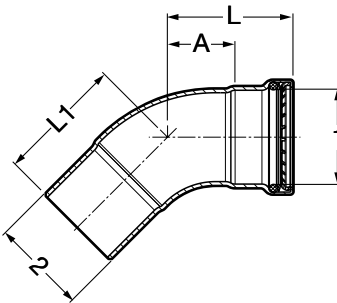
Part No.			Size (in)	A (in)		L (in)	
304 FKM	316 EPDM	316 FKM	1	Dec	Frac	Dec	Frac
95055	90055	91755	1/2	0.56	9/16	1.67	1 11/16
95060	90060	91760	3/4	0.67	1 1/16	1.87	1 7/8
95065	90065	91765	1	0.82	1 3/16	2.20	2 3/16
95790	90840	91770	1 1/4	0.94	1 5/16	2.80	2 13/16
95070	90070	91775	1 1/2	1.08	1 1/16	2.99	3
95075	90075	91780	2	1.28	1 1/4	3.29	3 5/16

MegaPress Stainless 45° Elbow, P x P – Models 4126XL / 5126XL / 6826XL


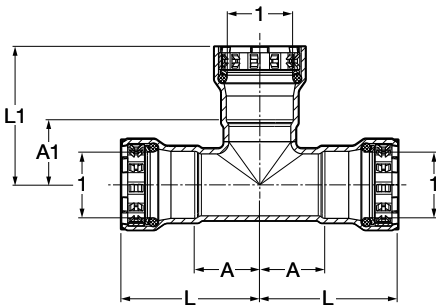
Part No.			Size (in)	A (in)		L (in)	
304 FKM	316 EPDM	316 FKM	1	Dec	Frac	Dec	Frac
95530	90530	98510	2 1/2	2.10	2 1/8	3.90	3 7/8
95535	90535	98515	3	2.26	2 1/4	4.56	4 9/16
95540	90540	98520	4	2.74	2 3/4	5.89	5 7/8

MegaPress Stainless 45° Elbow, FTG x P – Models 4126.1 / 5126.1 / 6826.1


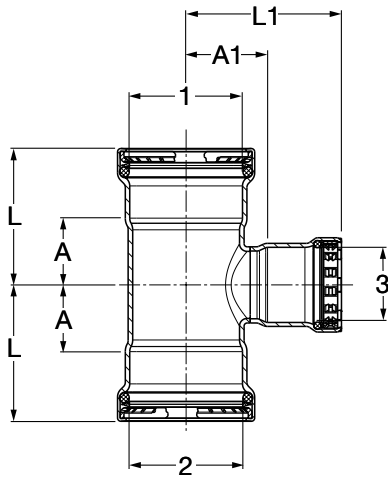
Part No.			Size (in)	A (in)		L (in)		L1 (in)	
304 FKM	316 EPDM	316 FKM	1	Dec	Frac	Dec	Frac	Dec	Frac
95080	90080	91785	1/2	0.56	9/16	1.67	1 1/16	1.97	2
95085	90085	91790	3/4	0.67	1 1/16	1.87	1 7/8	2.13	2 1/8
95090	90090	91795	1	0.82	1 3/16	2.20	2 3/16	2.52	2 1/2
95850	90900	91800	1 1/4	0.94	1 5/16	2.80	2 13/16	2.99	3
95095	90095	91805	1 1/2	1.08	1 1/16	2.99	3	3.07	3 1/16
95100	90100	91810	2	1.28	1 1/4	3.29	3 5/16	3.58	3 3/16

MegaPress Stainless 45° Street Elbow, P x FTG – Models 4126.1XL / 5126.1XL / 6826.1XL


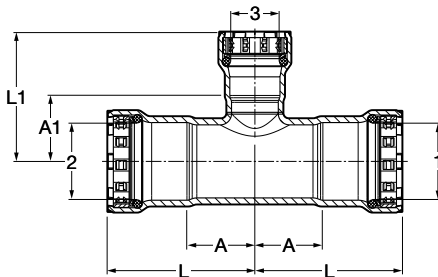
Part No.			Size (in)	A (in)		L (in)		L1 (in)	
304 FKM	316 EPDM	316 FKM	1 2	Dec	Frac	Dec	Frac	Dec	Frac
95545	90545	98495	2 1/2 x 2 1/2	2.10	2 1/8	3.90	3 7/8	3.95	3 15/16
95550	90550	98500	3 x 3	2.26	2 1/4	4.56	4 9/16	4.34	4 5/16
95555	90555	98505	4 x 4	2.74	2 3/4	5.89	5 7/8	5.62	5 5/8

MegaPress Stainless Tee, P x P x P – Models 4118 / 5118 / 6818


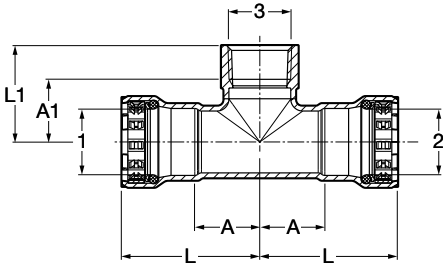
Part No.			Size (in)	A (in)		A1 (in)		L (in)		L1 (in)	
304 FKM	316 EPDM	316 FKM	1	Dec	Frac	Dec	Frac	Dec	Frac	Dec	Frac
95105	90105	91600	1/2	0.97	1	0.93	1 5/16	2.08	2 1/16	2.04	2 1/16
95110	90110	91605	3/4	1.09	1 1/16	1.05	1 1/16	2.29	2 5/16	2.24	2 1/4
95115	90115	91610	1	1.24	1 1/4	1.20	1 3/16	2.63	2 5/8	2.59	2 9/16
95795	90845	91640	1 1/4	1.41	1 7/16	1.31	1 5/16	3.27	3 1/4	2.42	2 7/16
95120	90120	91615	1 1/2	1.57	1 9/16	1.56	1 9/16	3.48	3 1/2	3.47	3 1/2
95125	90125	91620	2	1.81	1 13/16	1.76	1 3/4	3.82	3 13/16	3.77	3 3/4

MegaPress Stainless Tee, P x P x P – Models 4118XL / 5118XL / 6818XL


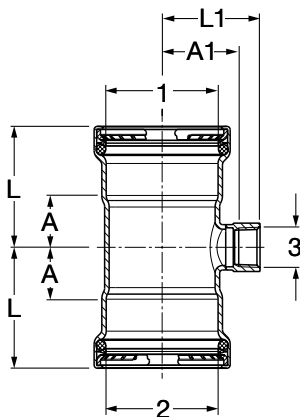
Part No.			Size (in)	A (in)		A1 (in)		L (in)		L1 (in)	
304 FKM	316 EPDM	316 FKM	1 2 3	Dec	Frac	Dec	Frac	Dec	Frac	Dec	Frac
95575	90575	98450	2½ x 2½ x 1½	1.72	1¼	2.08	2¼	3.52	3½	3.95	3 ¹⁵ / ₁₆
95580	90580	98455	2½ x 2½ x 2	2.16	2 ³ / ₁₆	2.05	2¼	3.96	3 ¹⁵ / ₁₆	4.04	4¼
95560	90560	98435	2½ x 2½ x 2½	2.16	2 ³ / ₁₆	2.26	2¼	3.96	3 ¹⁵ / ₁₆	4.06	4¼
95590	90590	98465	3 x 3 x 1½	1.80	1 ¹³ / ₁₆	2.33	2 ⁵ / ₁₆	4.13	4⅞	4.20	4 ³ / ₁₆
95585	90585	98460	3 x 3 x 2	2.11	2⅛	2.30	2 ⁵ / ₁₆	4.41	4 ⁷ / ₁₆	4.29	4 ⁵ / ₁₆
95595	90595	98470	3 x 3 x 2½	2.32	2 ⁵ / ₁₆	2.51	2½	4.63	4 ⁵ / ₈	4.31	4 ⁵ / ₁₆
95565	90565	98440	3 x 3 x 3	2.55	2 ⁹ / ₁₆	2.52	2½	4.88	4 ⁷ / ₈	4.82	4 ¹³ / ₁₆
95600	90600	98475	4 x 4 x 1½	1.86	1 ⁷ / ₈	2.90	2 ⁷ / ₈	5.04	5 ¹ / ₁₆	4.77	4¾
95605	90605	98480	4 x 4 x 2	2.18	2 ³ / ₁₆	2.87	2 ⁷ / ₈	5.35	5 ³ / ₈	4.86	4 ⁷ / ₈
95610	90610	98485	4 x 4 x 2½	2.40	2 ³ / ₈	3.08	3¼	5.55	5 ⁹ / ₁₆	4.88	4 ⁷ / ₈
95615	90615	98490	4 x 4 x 3	2.66	2 ¹¹ / ₁₆	3.13	3⅞	5.81	5 ¹³ / ₁₆	5.43	5 ⁷ / ₁₆
95570	90570	98445	4 x 4 x 4	3.22	3¼	3.08	3¼	6.40	6 ³ / ₈	6.26	6¼

MegaPress Stainless Reducing Tee, P x P x P – Models 4118 / 5118 / 6818


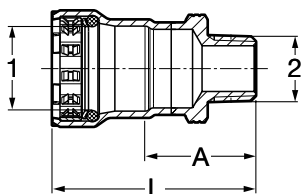
Part No.			Size (in)	A (in)		A1 (in)		L (in)		L1 (in)	
304 FKM	316 EPDM	316 FKM	1 2 3	Dec	Frac	Dec	Frac	Dec	Frac	Dec	Frac
95130	90130	91625	¾ x ¾ x ½	1.09	1 ¹ / ₁₆	1.02	1	2.29	2 ⁵ / ₁₆	2.13	2⅛
95135	90135	91630	1 x 1 x ½	1.24	1¼	1.17	1 ³ / ₁₆	2.63	2 ⁵ / ₈	2.28	2¼
95140	90140	91635	1 x 1 x ¾	1.24	1¼	1.20	1 ³ / ₁₆	2.63	2 ⁵ / ₈	2.40	2 ³ / ₈
95855	90905	91645	1¼ x 1¼ x ½	1.41	1 ⁷ / ₁₆	1.31	1 ⁵ / ₁₆	3.27	3¼	2.42	2 ⁷ / ₁₆
95860	90910	91650	1¼ x 1¼ x ¾	1.41	1 ⁷ / ₁₆	1.35	1 ³ / ₈	3.27	3¼	2.55	2 ⁹ / ₁₆
95865	90915	91655	1¼ x 1¼ x 1	1.41	1 ⁷ / ₁₆	1.34	1 ⁵ / ₁₆	3.27	3¼	2.73	2¾
95145	90145	91660	1½ x 1½ x ½	1.57	1 ⁹ / ₁₆	1.42	1 ⁷ / ₁₆	3.48	3½	2.53	2½
95150	90150	91665	1½ x 1½ x ¾	1.57	1 ⁹ / ₁₆	1.46	1 ⁷ / ₁₆	3.48	3½	2.65	2 ⁵ / ₈
95155	90155	91670	1½ x 1½ x 1	1.57	1 ⁹ / ₁₆	1.45	1 ⁷ / ₁₆	3.48	3½	2.84	2 ¹³ / ₁₆
NA	NA	91910	1½ x 1½ x 1¼	1.57	1 ⁹ / ₁₆	1.50	1½	3.48	3½	3.36	3 ³ / ₈
95160	90160	91675	2 x 2 x ½	1.81	1 ¹³ / ₁₆	1.72	1¾	3.82	3 ¹³ / ₁₆	2.83	2 ¹³ / ₁₆
95165	90165	91680	2 x 2 x ¾	1.81	1 ¹³ / ₁₆	1.74	1¾	3.82	3 ¹³ / ₁₆	2.93	2 ¹⁵ / ₁₆
95170	90170	91685	2 x 2 x 1	1.81	1 ¹³ / ₁₆	1.70	1 ¹¹ / ₁₆	3.82	3 ¹³ / ₁₆	3.09	3¼
NA	NA	91915	2 x 2 x 1¼	1.81	1 ¹³ / ₁₆	1.81	1 ¹³ / ₁₆	3.82	3 ¹³ / ₁₆	3.67	3 ¹¹ / ₁₆
95175	90175	91690	2 x 2 x 1½	1.81	1 ¹³ / ₁₆	1.80	1 ¹³ / ₁₆	3.82	3 ¹³ / ₁₆	3.71	3 ¹¹ / ₁₆

MegaPress Stainless Reducing Tee, P x P x FPT – Models 4117.2 / 5117.2 / 6817.2


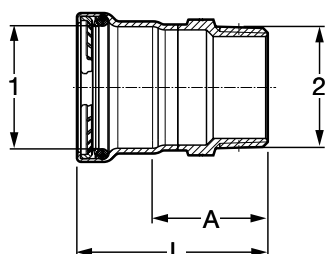
Part No.			Size (in)			A (in)		A1 (in)		L (in)		L1 (in)	
304 FKM	316 EPDM	316 FKM	1	2	3	Dec	Frac	Dec	Frac	Dec	Frac	Dec	Frac
95180	90180	91845	3/4	3/4	1/2	1.09	11/16	1.01	1	2.29	25/16	1.54	19/16
95185	90185	91850	3/4	3/4	3/4	1.09	11/16	1.02	1	2.29	25/16	1.58	19/16
95190	90190	91855	1	1	1/2	1.24	11/4	1.17	13/16	2.63	25/8	1.70	111/16
95195	90195	91860	1	1	3/4	1.24	11/4	1.17	13/16	2.63	25/8	1.73	13/4
NA	NA	91865	1 1/4	1 1/4	1/2	1.41	17/16	1.33	15/16	3.27	3 1/4	1.87	17/8
NA	NA	91870	1 1/4	1 1/4	3/4	1.41	17/16	1.33	15/16	3.27	3 1/4	1.89	17/8
NA	NA	91875	1 1/4	1 1/4	1	1.41	17/16	1.48	1 1/2	3.27	3 1/4	2.14	2 1/8
95200	90200	91880	1 1/2	1 1/2	1/2	1.57	19/16	1.40	13/8	3.48	3 1/2	1.94	115/16
95205	90205	91885	1 1/2	1 1/2	3/4	1.57	19/16	1.41	17/16	3.48	3 1/2	1.96	115/16
95210	90210	91890	1 1/2	1 1/2	1	1.57	19/16	1.55	19/16	3.48	3 1/2	2.21	23/16
95215	90215	91895	2	2	1/2	1.81	113/16	1.72	13/4	3.82	313/16	2.26	2 1/4
95220	90220	91900	2	2	3/4	1.81	113/16	1.70	11 1/16	3.82	313/16	2.26	2 1/4
95225	90225	91905	2	2	1	1.81	113/16	1.89	1 7/8	3.82	313/16	2.55	29/16

MegaPress Stainless Tee, P x P x FPT – Models 4117.2XL / 5117.2XL / 6817.2XL


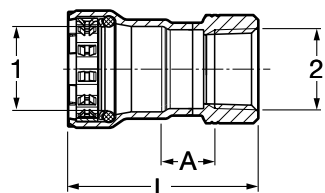
Part No.			Size (in)			A (in)		A1 (in)		L (in)		L1 (in)	
304 FKM	316 EPDM	316 FKM	1	2	3	Dec	Frac	Dec	Frac	Dec	Frac	Dec	Frac
95620	90620	98420	2 1/2	2 1/2	3/4	1.35	13/8	2.00	2	3.15	3 1/8	2.55	29/16
95625	90625	98425	3	3	3/4	1.44	17/16	2.24	2 1/4	3.74	3 3/4	2.80	213/16
95630	90630	98430	4	4	3/4	1.55	19/16	2.76	2 3/4	4.72	4 3/4	3.31	35/16

MegaPress Stainless Adapter, P x MPT – Models 4111 / 5111 / 6811


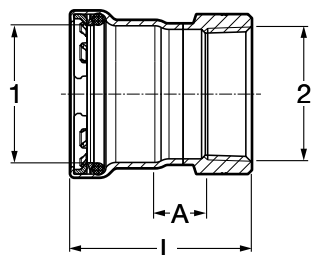
Part No.			Size (in)		A (in)		L (in)	
304 FKM	316 EPDM	316 FKM	1	2	Dec	Frac	Dec	Frac
95230	90230	91205	1/2	1/2	1.42	17/16	2.53	2 1/2
95235	90235	91210	3/4	1/2	1.43	17/16	2.63	2 5/8
95240	90240	91215	3/4	3/4	1.46	17/16	2.66	2 11/16
95245	90245	91220	1	1	1.63	1 5/8	3.02	3
95830	90880	91225	1 1/4	1 1/4	1.85	1 7/8	3.70	3 11/16
95250	90250	91230	1 1/2	1 1/2	1.92	1 15/16	3.73	3 3/4
95255	90255	91235	2	2	1.89	1 7/8	3.90	3 7/8

MegaPress Stainless Adapter, P x MPT – Models 4111XL / 5111XL / 6811XL


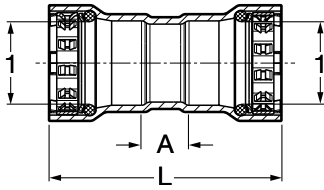
Part No.			Size (in)		A (in)		L (in)	
304 FKM	316 EPDM	316 FKM	1	2	Dec	Frac	Dec	Frac
95635	90635	98300	2 1/2	2 1/2	2.75	2 3/4	4.55	4 9/16
95640	90640	98305	3	3	2.89	2 7/8	5.20	5 3/16
95735	90735	98310	4	4	3.03	3	6.21	6 3/16

MegaPress Stainless Adapter, P x FPT – Models 4112 / 5112 / 6812


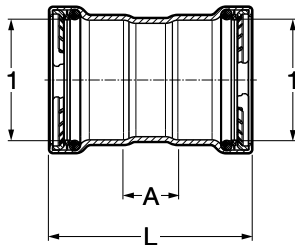
Part No.			Size (in)		A (in)		L (in)	
304 FKM	316 EPDM	316 FKM	1	2	Dec	Frac	Dec	Frac
95260	90260	91240	1/2	1/2	0.67	1 1/16	2.31	2 5/16
95265	90265	91245	3/4	3/4	0.68	1 1/16	2.43	2 7/16
95270	90270	91250	1	1	0.71	1 1/16	2.76	2 3/4
95835	90885	91255	1 1/4	1 1/4	0.73	3/4	3.27	3 1/4
95275	90275	91260	1 1/2	1 1/2	0.73	3/4	3.22	3 1/4
95280	90280	91265	2	2	0.73	3/4	3.44	3 7/16

MegaPress Stainless Adapter, P x FPT – Models 4112XL / 5112XL / 6812XL


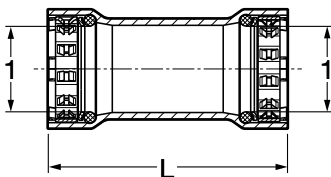
Part No.			Size (in)		A (in)		L (in)	
304 FKM	316 EPDM	316 FKM	1	2	Dec	Frac	Dec	Frac
95770	90740	98315	2 1/2	2 1/2	1.13	1 1/8	3.86	3 7/8
95775	90745	98320	3	3	1.17	1 3/16	4.49	4 1/2
95780	90750	98325	4	4	1.15	1 1/8	5.42	5 7/16

MegaPress Stainless Coupling with Stop, P x P – Models 4115 / 5115 / 6815


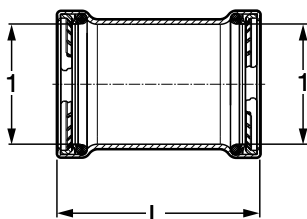
Part No.			Size (in)	A (in)		L (in)	
304 FKM	316 EPDM	316 FKM	1	Dec	Frac	Dec	Frac
95285	90285	91100	1/2	0.56	9/16	2.78	2 3/4
95290	90290	91105	3/4	0.62	5/8	3.01	3
95295	90295	91110	1	0.60	5/8	3.39	3 3/8
95800	90850	91115	1 1/4	0.70	1 1/16	4.42	4 7/16
95300	90300	91120	1 1/2	0.89	7/8	4.71	4 1 1/16
95305	90305	91125	2	0.80	13/16	4.82	4 13/16

MegaPress Stainless Coupling with Stop, P x P – Models 4115XL / 5115XL / 6815XL


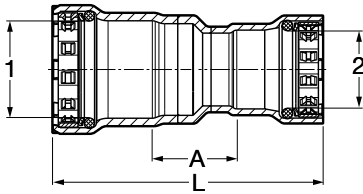
Part No.			Size (in)	A (in)		L (in)	
304 FKM	316 EPDM	316 FKM	1	Dec	Frac	Dec	Frac
95645	90645	98375	2 1/2	1.32	1 5/16	4.92	4 15/16
95650	90650	98380	3	1.38	1 3/8	5.98	6
95655	90655	98385	4	1.57	1 9/16	7.87	7 7/8

MegaPress Stainless Coupling No Stop, P x P – Models 4115.5 / 5115.5 / 6815.5


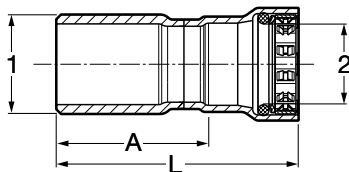
Part No.			Size (in)	L (in)	
304 FKM	316 EPDM	316 FKM	1	Dec	Frac
95310	90310	91290	1/2	2.78	2 3/4
95315	90315	91295	3/4	3.01	3
95320	90320	91300	1	3.37	3 3/8
95805	90855	91305	1 1/4	4.42	4 7/16
95325	90325	91310	1 1/2	4.71	4 1 1/16
95330	90330	91315	2	4.82	4 13/16

MegaPress Stainless Coupling No Stop, P x P – Models 4115.5XL / 5115.5XL / 6815.5XL


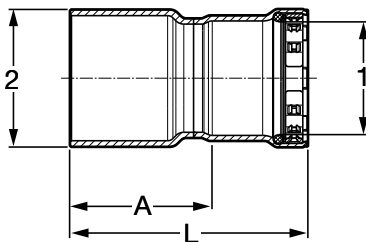
Part No.			Size (in)	L (in)	
304 FKM	316 EPDM	316 FKM	1	Dec	Frac
95660	90660	98360	2 1/2	4.92	4 15/16
95665	90665	98365	3	5.98	6
95670	90670	98370	4	7.91	7 15/16

MegaPress Stainless Reducer, P x P – Models 4115.2 / 5115.2 / 6815.2


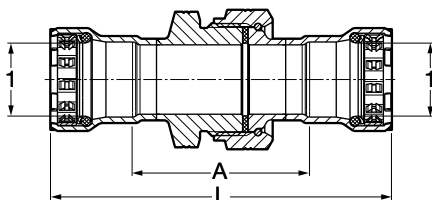
Part No.			Size (in)		A (in)		L (in)	
304 FKM	316 EPDM	316 FKM	1	2	Dec	Frac	Dec	Frac
95335	90335	91270	3/4	1/2	1.14	1/8	3.45	3/16
95340	90340	91275	1	3/4	1.18	13/16	3.76	3/4
95820	90870	91280	1 1/4	1	1.19	13/16	4.43	47/16
95345	90345	91920	1 1/2	1	1.28	1/4	5.05	5 1/16
95350	90350	91285	2	1 1/2	1.39	13/8	5.31	5 3/8

MegaPress Stainless Reducer, FTG x P – Models 4115.1 / 5115.1 / 6815.1


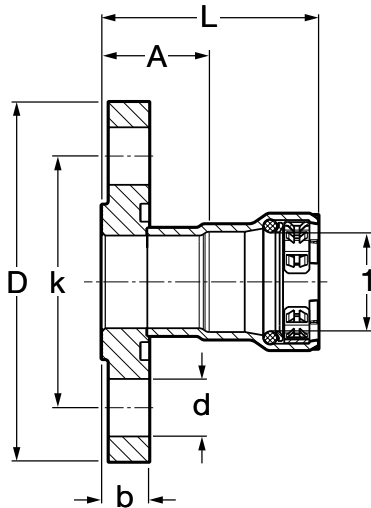
Part No.			Size (in)		A (in)		L (in)	
304 FKM	316 EPDM	316 FKM	1	2	Dec	Frac	Dec	Frac
95355	90355	91130	3/4	1/2	1.85	17/8	2.96	2 15/16
95360	90360	91135	1	1/2	2.13	2 1/8	3.24	3 1/4
95365	90365	91140	1	3/4	2.03	2	3.22	3 1/4
NA	NA	91320	1 1/4	3/4	2.80	2 13/16	4.00	4
95810	90860	91145	1 1/4	1	2.64	2 5/8	4.02	4
95370	90370	91160	1 1/2	3/4	2.95	2 15/16	4.15	4 1/8
95375	90375	91150	1 1/2	1	2.80	2 13/16	4.19	4 3/16
95815	90865	91155	1 1/2	1 1/4	2.66	2 11/16	4.52	4 1/2
95380	90380	91165	2	1	3.11	3 1/8	4.50	4 1/2
NA	NA	91325	2	1 1/4	3.00	3	4.85	4 7/8
95385	90385	91170	2	1 1/2	2.94	2 15/16	4.85	4 7/8

MegaPress Stainless Reducer, FTG x P – Models 4115.1XL / 5115.1XL / 6815.1XL


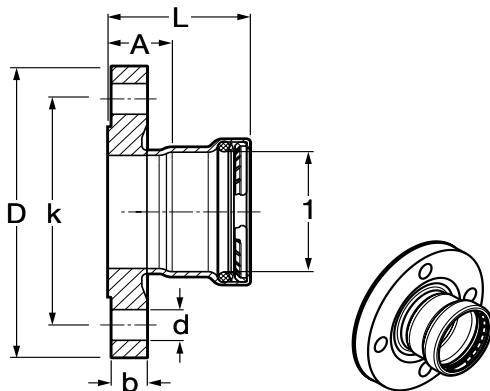
Part No.			Size (in)		A (in)		L (in)	
304 FKM	316 EPDM	316 FKM	1	2	Dec	Frac	Dec	Frac
95675	90675	98330	2	2 1/2	2.97	3	4.96	4 15/16
95680	90680	98335	2	3	3.76	3 3/4	5.75	5 3/4
95685	90685	98340	2 1/2	3	3.75	3 3/4	5.55	5 9/16
95690	90690	98345	2	4	5.28	5 1/4	7.27	7 1/4
95695	90695	98350	2 1/2	4	5.27	5 1/4	7.06	7 1/16
95700	90700	98355	3	4	5.03	5	7.33	7 5/16

MegaPress Stainless Union, P x P – Models 4160 / 5160 / 6860


Part No.			Size (in)		A (in)		L (in)	
304 FKM	316 EPDM	316 FKM	1	2	Dec	Frac	Dec	Frac
95415	90415	91925	1/2		2.31	2 5/16	4.53	4 1/2
95420	90420	91930	3/4		2.59	2 9/16	4.98	5
95425	90425	91935	1		2.60	2 5/8	5.37	5 3/8
95875	90925	91940	1 1/4		2.76	2 3/4	6.48	6 1/2
95430	90430	91945	1 1/2		2.89	2 7/8	6.71	6 11/16
95435	90435	91950	2		3.61	3 5/8	7.63	7 5/8

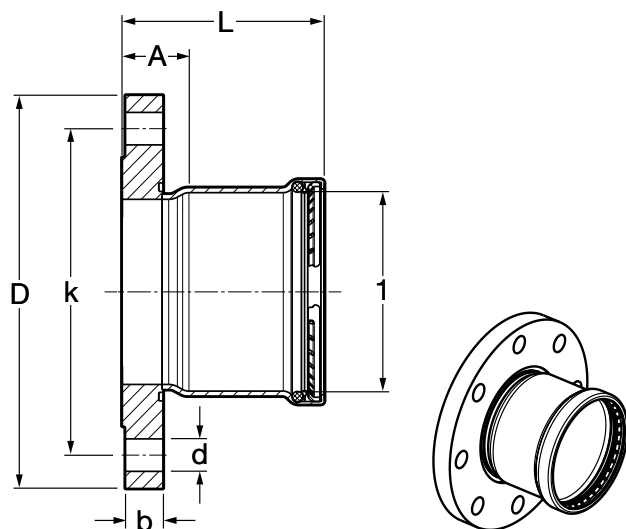
MegaPress Stainless Flange, P x BP – Models 4159 / 5159 / 6859


Part No.			Size (in)	A (in)		L (in)		b (in)		k (in)		D (in)		d (in)	
304 FKM	316 EPDM	316 FKM		1	Dec	Frac	Dec	Frac	Dec	Frac	Dec	Frac	Dec	Frac	Dec
95440	90440	91175	1/2	1.05	1 ¹ / ₁₆	2.16	2 ³ / ₁₆	0.46	7 ¹ / ₁₆	2.36	2 ³ / ₈	3.54	3 ⁹ / ₁₆	0.63	5 ¹ / ₈
95445	90445	91180	3/4	1.19	1 ³ / ₁₆	2.39	2 ³ / ₈	0.53	1/2	2.76	2 ³ / ₄	3.94	3 ¹⁵ / ₁₆	0.63	5 ¹ / ₈
95450	90450	91185	1	1.30	1 ⁵ / ₁₆	2.68	2 ¹¹ / ₁₆	0.58	9 ¹ / ₁₆	3.11	3 ¹ / ₈	4.33	4 ⁵ / ₁₆	0.63	5 ¹ / ₈
95870	90920	91190	1 1/4	1.39	1 ³ / ₈	3.24	3 ¹ / ₄	0.64	5 ⁵ / ₁₆	3.50	3 ¹ / ₂	4.53	4 ¹ / ₂	0.63	5 ¹ / ₈
95455	90455	91195	1 1/2	1.45	1 ⁷ / ₁₆	3.36	3 ³ / ₈	0.70	1 ¹ / ₁₆	3.86	3 ⁷ / ₈	4.92	4 ¹⁵ / ₁₆	0.63	5 ¹ / ₈
95460	90460	91200	2	1.48	1 ¹ / ₂	3.49	3 ¹ / ₂	0.77	3 ³ / ₄	4.76	4 ³ / ₄	5.91	5 ¹⁵ / ₁₆	0.75	3 ¹ / ₄

MegaPress Stainless 2 1/2" to 4" Adapter Flange, P – Models 4159XL / 5159XL / 6859XL


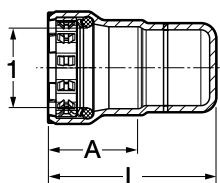
Part No.			Size (in)	A (in)		L (in)		b (in)		k (in)		D (in)		d (in)	
304 FKM	316 EPDM	316 FKM		1	Dec	Frac	Dec	Frac	Dec	Frac	Dec	Frac	Dec	Frac	Dec
95720	90720	98525	2 1/2	1.54	1 ⁹ / ₁₆	3.33	3 ⁵ / ₁₆	0.89	7 ⁷ / ₈	5.51	5 ¹ / ₂	7.09	7 ¹ / ₁₆	0.75	3 ¹ / ₄
95725	90725	98530	3	1.65	1 ⁵ / ₈	3.95	3 ¹⁵ / ₁₆	0.96	1 ⁵ / ₁₆	5.98	6	7.48	7 ¹ / ₂	0.75	3 ¹ / ₄

MegaPress Stainless 2½" to 4" Adapter Flange, P – Models 4159XL / 5159XL / 6859XL



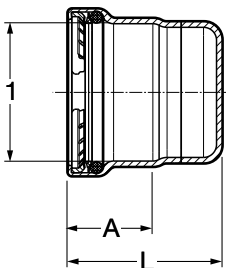
Part No.			Size (in)	A (in)		L (in)		b (in)		k (in)		D (in)		d (in)	
304 FKM	316 EPDM	316 FKM	1	Dec	Frac	Dec	Frac	Dec	Frac	Dec	Frac	Dec	Frac	Dec	Frac
95730	90730	98535	4	1.63	1 ⁵ / ₈	4.80	4 ¹³ / ₁₆	0.96	1 ⁵ / ₁₆	7.52	7 ¹ / ₂	9.06	9 ¹ / ₁₆	0.75	¾

MegaPress Stainless Cap, P x Cap – Models 4156 / 5156 / 6856

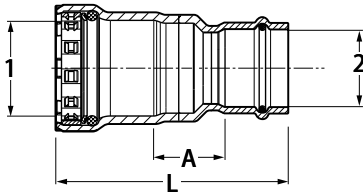


Part No.			Size (in)	A (in)		L (in)	
304 FKM	316 EPDM	316 FKM	1	Dec	Frac	Dec	Frac
95390	90390	91815	½	1.07	1 ¹ / ₁₆	2.14	2 ¹ / ₈
95395	90395	91820	¾	1.16	1 ³ / ₁₆	2.26	2 ¹ / ₄
95400	90400	91825	1	1.35	1 ³ / ₈	2.43	2 ⁷ / ₁₆
95825	90875	91830	1¼	1.86	1 ⁷ / ₈	2.93	2 ¹⁵ / ₁₆
95405	90405	91835	1½	1.87	1 ⁷ / ₈	3.02	3
95410	90410	91840	2	1.99	2	3.11	3 ¹ / ₈

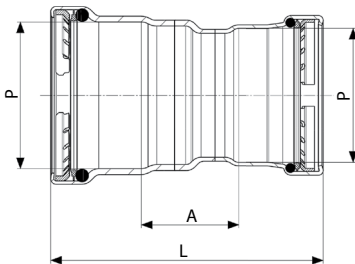
MegaPress Stainless Cap, P – Models 4156.1XL / 5156.1XL / 6856.1XL



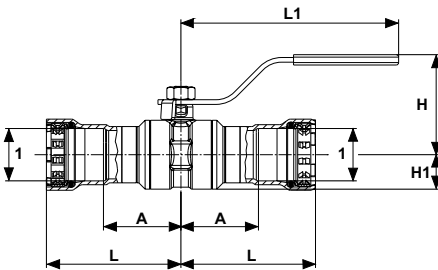
Part No.			Size (in)	A (in)		L (in)	
304 FKM	316 EPDM	316 FKM	1	Dec	Frac	Dec	Frac
95705	90705	98540	2½	1.80	1 ¹³ / ₁₆	3.27	3¼
95710	90710	98545	3	2.30	2 ⁵ / ₁₆	3.82	3 ¹³ / ₁₆
95715	90715	98550	4	3.18	3 ³ / ₁₆	4.67	4 ¹ / ₁₆

MegaPress Stainless to ProPress Transition Coupling, P x P – Models 4113 / 5113


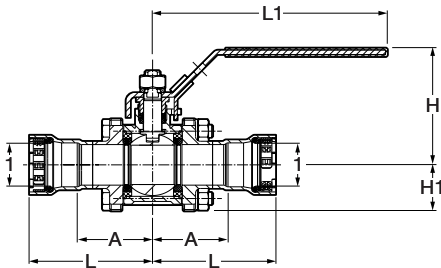
Part No.		Size (in)		A (in)		L (in)	
304 FKM	316 EPDM	1 (IPS)	2 (CTS)	Dec	Frac	Dec	Frac
95465	90465	1/2 x 1/2		1.07	1 1/16	2.93	2 15/16
95470	90470	3/4 x 3/4		1.07	1 1/16	3.17	3 3/16
95475	90475	1 x 1		1.11	1 1/8	3.40	3 3/8
95840	90890	1 1/4 x 1 1/4		1.11	1 1/8	4.00	4
95485	90485	1 1/2 x 1 1/2		1.21	1 3/16	4.55	4 9/16
95490	90490	2 x 2		1.23	1 1/4	4.82	4 13/16

MegaPress Stainless to ProPress Transition Coupling, P x P - Models 5113XL / 6813XL


Part No.		Size (in)		A (in)		L (in)	
316 FKM	316 EPDM	1 (IPS)	2 (CTS)	Dec	Frac	Dec	Frac
98555	90760	2 1/2 x 2 1/2		1.94	1 15/16	5.43	5 7/16
98560	90765	3 x 3		2.00	2	6.27	6 1/4
98565	90770	4 x 4		2.00	2	7.56	7 9/16

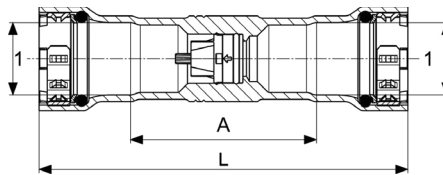
Viega MegaPress Stainless Ball Valve, P x P – Models 4170 / 4170XL / 5170 / 5170XL


Part No.		Size (in)		A (in)		L (in)		L1 (in)		H (in)		H1 (in)	
304 FKM	316 EPDM	1	Dec	Frac	Dec	Frac	Dec	Frac	Dec	Frac	Dec	Frac	
29005	28975	1/2	1.535	1 9/16	2.618	2 5/8	4.567	4 9/16	1.992	2	0.634	5/8	
29010	28980	3/4	1.638	1 5/8	2.795	2 13/16	4.567	4 9/16	2.102	2 1/8	0.748	3/4	
29015	28985	1	1.811	1 13/16	3.157	3 1/8	5.768	5 3/4	2.469	2 7/16	0.878	7/8	
29020	28990	1 1/4	1.976	2	3.795	3 13/16	5.768	5 3/4	2.709	2 11/16	1.142	1 1/8	
29025	28995	1 1/2	2.142	2 1/8	4.012	4	6.122	6 1/8	3.016	3	1.358	1 1/8	
29030	29000	2	2.382	2 3/8	4.370	4 3/8	6.122	6 1/8	3.315	3 5/16	1.654	1 5/8	
86820	86805	2 1/2	3.717	3 11/16	5.516	5 9/16	11.087	11	5.142	5 1/8	2.256	2 1/4	
86825	86810	3	4.094	4 1/16	6.398	6 3/8	11.087	11	5.535	5 9/16	2.657	2 11/16	
86830	86815	4	4.638	4 5/8	7.843	7 13/16	13.055	13 1/16	6.697	6 11/16	3.346	3 3/8	

MegaPress Stainless 3-Piece Ball Valve, P x P – Models 4175.8 / 4175.8XL / 5175.8 / 5175.8XL


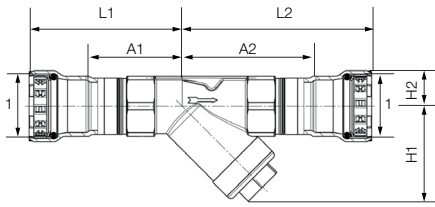
Part No.		Size (in)	A (in)		L (in)		L1 (in)		H (in)		H1 (in)	
304 FKM	316 EPDM	1	Dec	Frac	Dec	Frac	Dec	Frac	Dec	Frac	Dec	Frac
86500	86530	1/2	1.72	1 3/4	2.80	2 13/16	5.88	5 7/8	2.85	2 7/8	1.04	1 1/16
86505	86535	3/4	1.91	1 15/16	3.06	3 1/16	5.88	5 7/8	2.93	2 15/16	1.16	1 3/16
86510	86540	1	2.19	2 3/16	3.54	3 9/16	7.54	7 9/16	3.33	3 5/16	1.40	1 3/8
86515	86545	1 1/4	2.50	2 1/2	4.31	4 5/16	7.54	7 9/16	3.57	3 9/16	1.57	1 9/16
86520	86550	1 1/2	2.92	2 15/16	4.79	4 13/16	7.54	7 9/16	3.89	3 7/8	1.83	1 13/16
86525	86555	2	3.09	3 1/16	5.07	5 1/16	7.54	7 9/16	3.89	3 7/8	1.83	1 13/16
86650	86665	2 1/2	3.74	3 3/4	5.54	5 9/16	11.06	11 1/16	5.08	5 1/16	2.28	2 1/4
86655	86670	3	4.37	4 3/8	6.67	6 11/16	11.06	11 1/16	5.47	5 1/2	2.68	2 11/16
86660	86675	4	4.88	4 7/8	8.06	8 1/16	13.07	13 1/16	6.89	6 7/8	3.79	3 13/16

Sizes up to 3" have 4 bolt flanges; 4" has 6 bolt flanges.

Viega MegaPress 316 Check Valve, P x P – Model 5174


Part No.	Size (in)	A (in)		L (in)	
316 EPDM	1	Dec	Frac	Dec	Frac
29050	1/2	2.244	2 1/4	4.488	4 1/2
29055	3/4	2.323	2 5/16	4.685	4 11/16
29060	1	2.717	2 11/16	5.472	5 1/2
29065	1 1/4	2.992	3	6.732	6 3/4
29070	1 1/2	3.346	3 3/8	7.165	7 3/16
29075	2	3.937	3 15/16	7.953	8

Viega MegaPress 316 Strainer Valve - Model 5981.1



Part No.	Size (in)	H1 (in)		H2 (in)		L1 (in)		L2 (in)		A1 (in)		A2 (in)		Cv (US gal/min)
		Dec	Frac	Dec	Frac	Dec	Frac	Dec	Frac	Dec	Frac	Dec	Frac	
87140	1/2	1.69	1 ¹¹ / ₁₆	0.63	5/8	2.87	2 ⁷ / ₈	3.50	3 ¹ / ₂	1.81	1 ¹³ / ₁₆	2.44	2 ⁷ / ₁₆	3.7
87145	3/4	2.01	2	0.75	3/4	3.19	3 ³ / ₁₆	3.98	4	2.05	2 ¹ / ₁₆	2.83	2 ¹³ / ₁₆	6.2
87150	1	2.52	2 ¹ / ₂	0.91	1 ⁵ / ₁₆	3.50	3 ¹ / ₂	4.72	4 ³ / ₄	2.17	2 ³ / ₁₆	3.39	3 ³ / ₈	8.3
87155	1 ¹ / ₄	2.76	2 ³ / ₄	1.10	1 ¹ / ₈	4.13	4 ¹ / ₈	5.51	5 ¹ / ₂	2.28	2 ¹ / ₄	3.66	3 ¹¹ / ₁₆	14.6
87160	1 ¹ / ₂	3.19	3 ³ / ₁₆	1.22	1 ¹ / ₄	4.25	4 ¹ / ₄	5.83	5 ¹³ / ₁₆	2.36	2 ³ / ₈	3.98	4	21.4
87165	2	3.54	3 ⁹ / ₁₆	1.46	1 ⁷ / ₁₆	4.57	4 ⁹ / ₁₆	6.61	6 ⁵ / ₈	2.60	2 ⁵ / ₈	4.61	4 ⁵ / ₈	33.4

Viega LLC
585 Interlocken Blvd.
Broomfield, CO 80021

Phone (800) 976-9819
www.viega.us

DD-MP 0326 MegaPress Stainless

