

Tech Data

Viega ProPress® Zero Lead Ball Valve Model 2971.4ZL



Description

The two-piece lead-free bronze ball valve is equipped with a full port, bronze body. The ball valve features EPDM

sealing elements, EPDM stem seals, and Viega's Smart Connect® technology for easy identification of unpressed connections during pressure testing.

Features

- Two-piece ¼ turn ball valve
- Lead-free bronze body and press end
- Full port 316 stainless steel ball
- Eco Brass® blowout-proof stem
- Lockable metal handle
- EPDM stem and press sealing elements
- PTFE seats
- Smart Connect technology
- Sizes: ½", ¾", 1"

Ratings

- 300 CWP
- Temperature range: 0°F-250°F
- Max. operating pressure: 300 psi

Approvals

- Conforms to MSS SP-110
- IAPMO/ANSI Z1157
- NSF®-61
- NSF®-372
- NSF®-U.P. Code
- Listed by NSF to Commercial Hot

Accessories

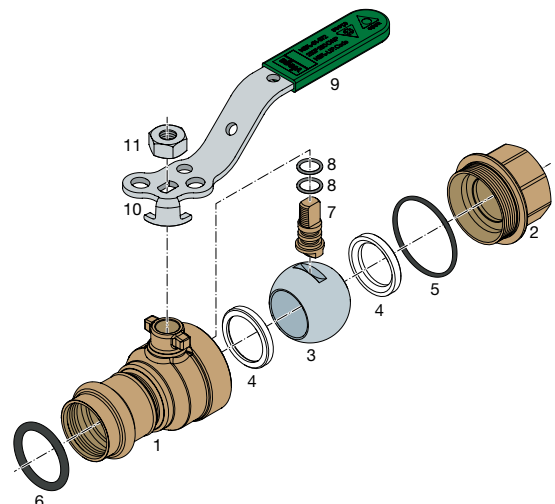
- Ball valve lockable metal handle model 2971.8
- Ball valve stem extension kit model 2971.96
- Bronze lockable stem extension model 2971.66
- 304 stainless steel lockable stem extension model 4070.96
- Replacement handle model 4070.8
- Thermal insulated handle model 2971.46
- Wing-style handle model 2971.26

Common Applications

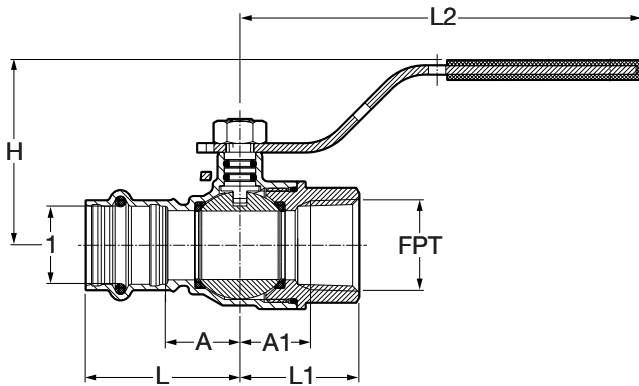
- Potable water
- Hydronic heating water (up to 50% glycol)
- Chilled water
- Compressed air

Labeled List of Materials – ProPress Zero Lead Ball Valve Model 2971.4ZL

Label No.	Component	Material
1	Body/press end	Lead-free bronze CC246E
2	Threaded end	Lead-free bronze CC246E
3	Ball	Stainless steel 1.4401
4	Seat	PTFE
5	Sealing element	EPDM
6	Sealing element	EPDM
7	Stem	Eco Brass CW724R
8	Stem seal	EPDM
9	Handle cover	Polyvinyl
10	Handle	Zinc-plated steel 1.0980
11	Nut	Zinc-plated steel 1.0980



Dimensions – ProPress Zero Lead Ball Valve Model 2971.4ZL



Part No.	Size (in) 1 x FPT	A (in)	A1 (in)	L (in)	L1 (in)	L2 (in)	H (in)	Cv (US gal/min)
79970	1/2 x 1/2	0.73	0.66	1.57	1.20	4.57	1.97	18.4
79975	3/4 x 3/4	0.85	0.79	1.75	1.35	4.57	2.09	33
79980	1 x 1	1.02	0.98	1.93	1.63	5.75	2.46	43.7

Insulation Thickness – ProPress Zero Lead Ball Valve 2971.4ZL

Size (in)	Max. insulation without extension (in)	Max. insulation with extension (in)	Extension part no.
1/2	0.59	2.24	23443
3/4	0.58	2.23	23443
1	0.55	2.25	23445



This document is subject to updates. For the most current Viega technical literature, please visit www.viega.us.



Zero Lead identifies Viega products meeting the lead free requirements of NSF/ANSI/CAN 61 through testing under NSF/ANSI/CAN 372 (0.25% or less maximum weighted average lead content).



Viega products are designed to be installed by licensed and trained plumbing and mechanical professionals who are familiar with Viega products and their installation. **Installation by non-professionals may void Viega LLC's warranty.**

V Viega LLC
585 Interlocken Blvd.
Broomfield, CO 80021

Phone (800) 976-9819
www.viega.us

TD-PP 1025 Ball Valve 2971.4ZL

viega